



Applications

Our complete repair kit for lever operated toilet cisterns

Water Saving

- ~ Delay-fill compact float inlet valve
- ~ Duoflush Turbo Edge syphon - push & hold lever for reduced flush volume.

Features

- ~ Compact Turbo Edge adjustable syphon will fit in more places than any other cistern
- ~ Hydroflo compact brass tailed telescopic bottom inlet valve
- ~ Contains chrome plated front flushing cistern lever
- ~ 3 year warranty
- ~ Easy fit & service.



Technical Data

Inlet Valve	Hydroflo Compact Float Brass-tailed Telescopic
Outlet Valve	Victoria Cable Operated
Lever	Type E
Lever Finish	Chrome
Flush Option	Duoflush
Product Code	372687



Applications

Designed for use as a replacement in most plastic and ceramic exposed and concealed cisterns

Also supplied as standard or as an optional extra in Dudley cisterns

Complies fully with water regulations:

- ~ True AG Air Gap
- ~ No under water joints
- ~ No silence tube

Water Saving

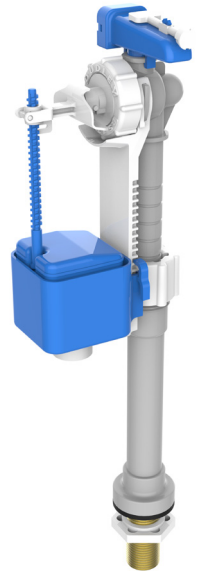
Delay fill saves water and supports BREEAM by only allowing a cistern to start refilling once flushing is complete.

Features

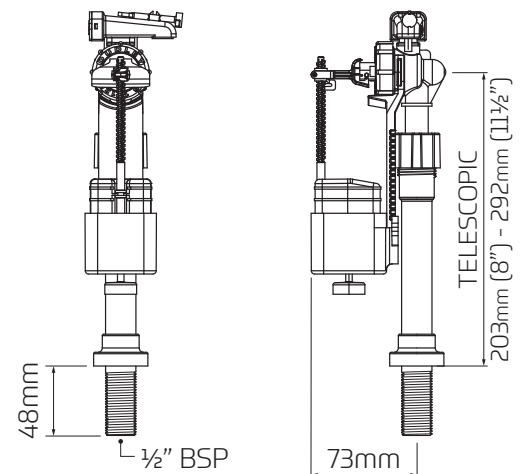
- ~ Telescopic height adjustment - 203mm (8") to 292mm (11½")
- ~ Professional ½" BSP brass tail
- ~ Compact body and float assembly
- ~ Key supplied for simple and safe removal of the filter
- ~ Unique float arm makes it impossible for the float to become detached
- ~ 3 available options of quiet fill technology...

Valve Option	Fill Nozzle		Flow Control		WRAS Approved
	Standard	Enhanced	Restricted	Regulated	
Standard	✓		✓		✓
Enhanced		✓	✓		✓

- ~ Enhanced option offers integrated quiet fill action
- ~ Flow Regulated option includes integrated quiet fill action together with 6 litre per minute flow control for ultimate quiet fill performance.



Dimensional Data



Technical Data

Connection	½" BSP brass tail
Adjustment	65mm float height range
Valve Type	Diaphragm
Float	Compact (Delay-fill)
Conformity	BS 1212-4



Applications

Our best ever syphon fits in all syphon flush ceramic and plastic WC cisterns.

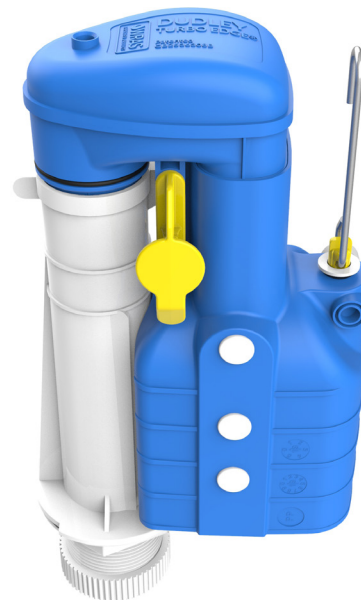
Available as a replacement for all Dudley one piece and two piece syphons.

Water Saving

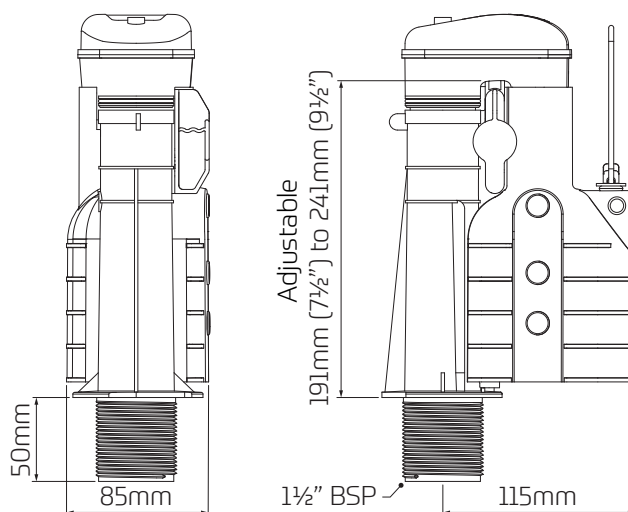
- ~ Dudley Duoflush® delivers water saving reduced flush when lever is held down and full flush when lever is depressed and released
- ~ 6/7/9 litre volume adjustment guaranteeing optimum flush performance.

Features

- ~ The world's most compact syphon - Fits all syphon flush ceramic and plastic WC cisterns
- ~ Height adjustable from 7½" (191mm) to 9½" (241mm)
- ~ Retrofits onto all existing Dudley downlegs; Turbo 88 Adjustable and Fixed Height, S44R and S1-11 syphon downlegs
- ~ The best performing syphon that fits all cisterns
- ~ User-friendly light-touch operation
- ~ Fully captive yellow fixing pin does not need to be removed to install syphon, easing installation
- ~ Convertible to single flush
- ~ WRAS approved product.



Dimensional Data



Technical Data

Outlet	1½" BSP (48mm)
Flush Volume	6/7/9 Litre Convertible
Sizes	Adjustable from 191mm (7½") to 241mm (9½") in ½" increments
Cistern Type	Low Level



Applications

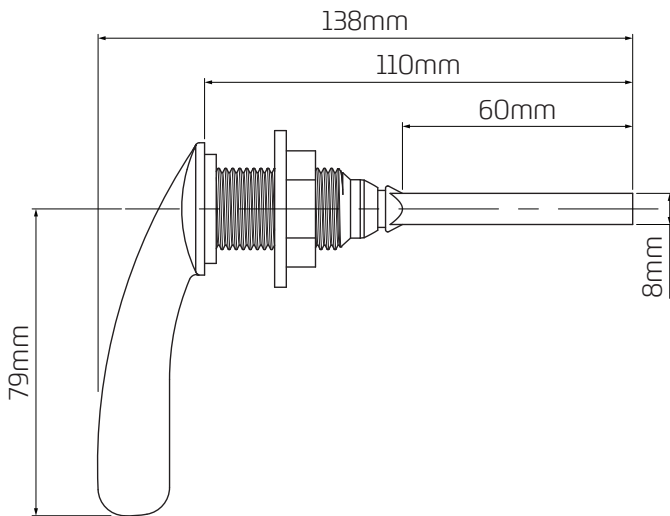
New or replacement lever for domestic and commercial environments.

Features

- ~ Replaces any lever for easy operation
- ~ Standard 110mm spindle
- ~ Manufactured from high quality materials
- ~ Chrome plated finish to BS4525
- ~ Supplied with lift arm, nuts and washers.



Dimensional Data



Technical Data

Material	Zinc Alloy
Finish	Chrome
Spindle length	110mm
Bush size	½" BSP
Product Code	367085