



Applications

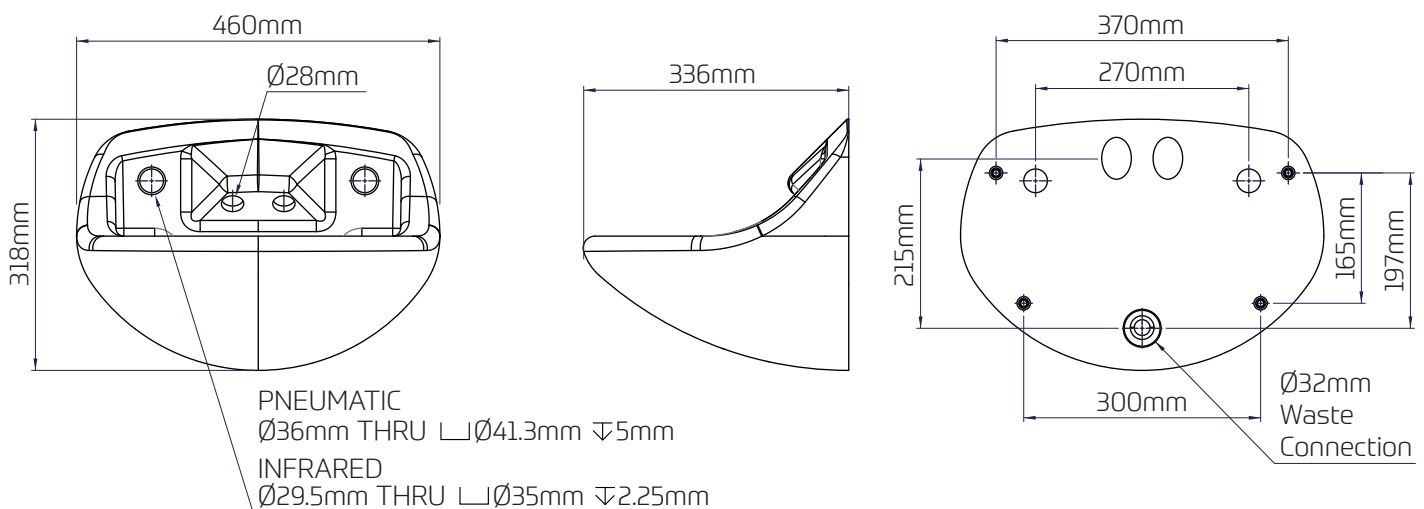
Suitable for installation within custodial, healthcare and commercial environments.

Features

- ~ Dual control apertures for either infrared or pneumatic controls
- ~ Dual tap outlets
- ~ Damage resistant
- ~ Anti-ligature
- ~ Range of activation and control options available.



Dimensional Data



Technical Data

Material	Polymer Resin
Available Finishes	Matt, Gloss
Product Weight	19.5kg
Fixing Orientation	Wall Fixed
Standard Conformity	BS 476 Pt.6 Fire propagation & surface spread of flame. ISO EN 19712-3-2007 Rated 5 for durability, stain resistance, Cigarette burns etc. Compliant with MoJ Estates Directorate Specifications for use in safer cells.
Product Codes	333883 Resan Anti-Ligature Basin, Twin Tap Nose, Gloss Finish, Twin Pneumatic Controls. 371149 Resan Anti-Ligature Basin, Twin Tap Nose, Gloss Finish, Twin Infrared Controls.