



Applications

Touch free infrared WC flushing for use with Dudley Vantage and Miniflo concealed cisterns.

Ideal for use in bathroom furniture and behind tiles, partitioning or IPS panelling within domestic or commercial environments.

Water Saving

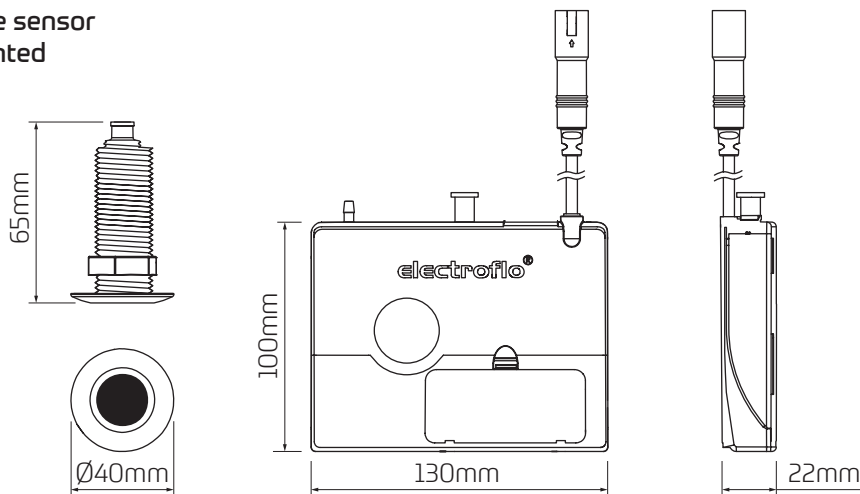
Dual flush functionality can deliver 6/4, 5/3 or 4/2.6 litre flush volumes.

Features

- ~ Discreet Ø40mm IR sensor available in chrome and matt black finishes or machined 304 stainless steel
- ~ Sensor detects a plurality of hand gestures; wave for full flush, hold hand in front of sensor for reduced flush
- ~ LED flush indication
- ~ Post flush sensor delay allows the cistern to refill before another flush can be delivered
- ~ Control box can be integrally mounted with the sensor at the rear of the panel or independently mounted onto a suitable flat surface
- ~ Mains or battery options available.



Dimensional Data



Technical Data

Operating Voltage	6V DC
Mains Supply	230V AC 50Hz
Battery Supply	4 x 1.5V AA
Sensor Cable Length	400mm
Sensor Activation Range	Up to 50mm
Ingress Protection	IP44
Max. Wall Thickness	Up to 45mm (170mm with separate extension kit)



Applications

Touch free infrared WC flushing for use with Dudley Vantage and Miniflo concealed cisterns.

Ideal for use in bathroom furniture and behind tiles, partitioning or IPS panelling within domestic or commercial environments.

Water Saving

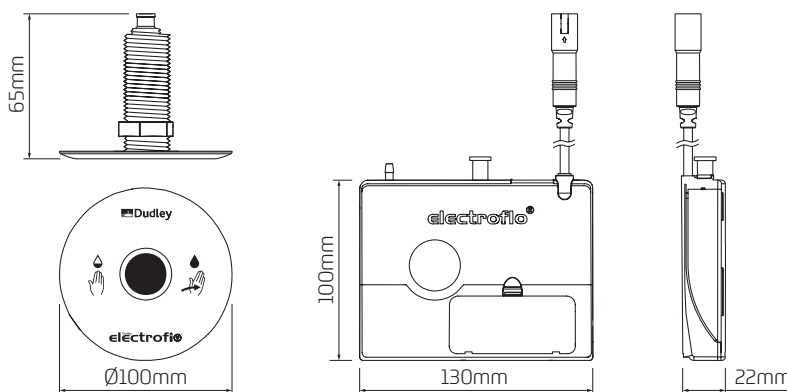
Dual flush functionality can deliver 6/4, 5/3 or 4/2.6 litre flush volumes.

Features

- ~ Ø100mm IR sensor includes instructional graphics
- ~ Sensor detects a plurality of hand gestures; wave for full flush, hold hand in front of sensor for reduced flush
- ~ LED flush indication
- ~ Post flush sensor delay allows the cistern to refill before another flush can be delivered
- ~ Control box can be integrally mounted with the sensor at the rear of the panel or independently mounted onto a suitable flat surface
- ~ Mains or battery options available.



Dimensional Data



Technical Data

Operating Voltage	6V DC
Mains Supply	230V AC 50Hz
Battery Supply	4 x 1.5V AA
Sensor Cable Length	400mm
Sensor Activation Range	Up to 50mm
Ingress Protection	IP44
Max. Wall Thickness	Up to 45mm (170mm with separate extension kit)