



Applications

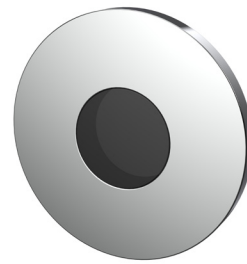
Provides touch free flushing for direct flush urinal systems.

Water Saving

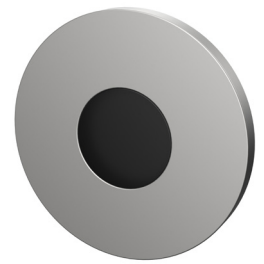
Automatically flushes each individual urinal after use, ensuring the highest level of hygiene from the minimum volume of water.

Features

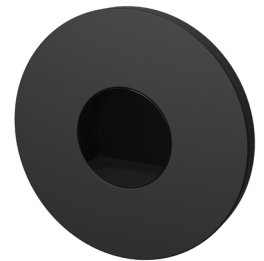
- ~ Sensor bezel available in polished chrome, stainless steel effect and matt black finishes
- ~ Programmable flow time
- ~ Adjustable flow rate and flush time
- ~ Automatic 24 hour hygiene flush
- ~ Can be supplied with Dudley DC Pipe Interrupter (air gap) to achieve fluid category 5 back flow prevention
- ~ Reprogrammable with separately supplied remote control.



Chrome

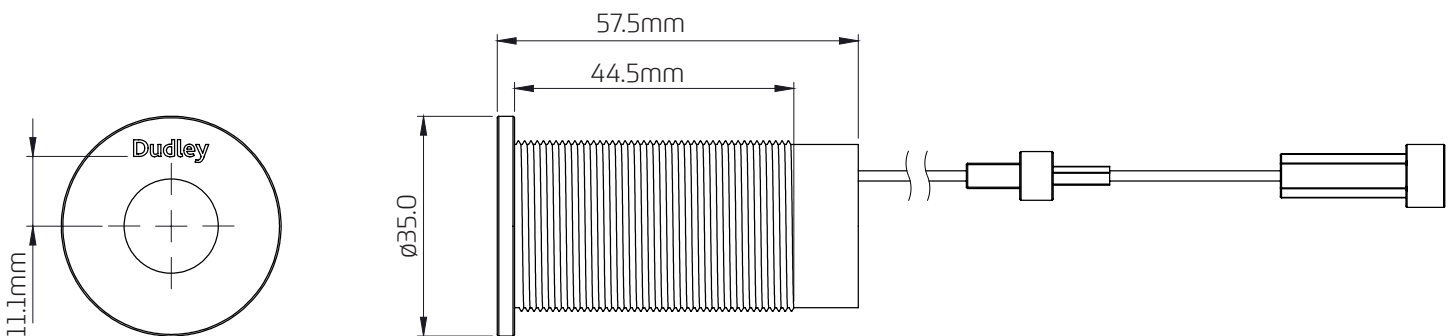


Stainless Steel



Matt Black

Dimensional Data



Technical Data

Operating Voltage	9V DC
Mains Supply	230V AC 50Hz
Battery Supply	9V
Operating Pressure	0.3-8.0 Bar
Sensor Range	300 - 800mm Adjustable
Preset Flush Time	6 seconds