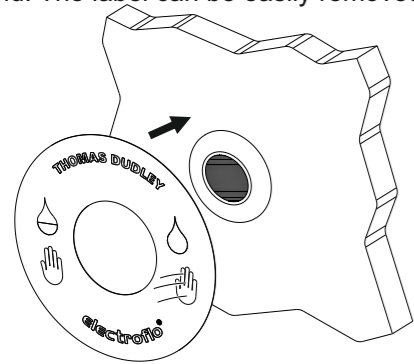


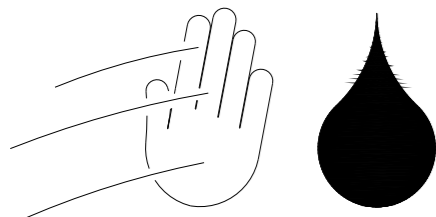
## 8 - Domestic label -

8.1 - Operator instructions can be fitted over the domestic surround. The label can be easily removed at any time.

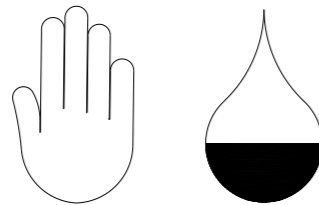


## 9 - Operation -

9.1 - Full flush - Wave hand within 50mm of sensor. When activated a blue light will show on the sensor.



9.2 - Partial flush - Hold hand within 50mm of sensor. When activated a green light will show on the sensor.



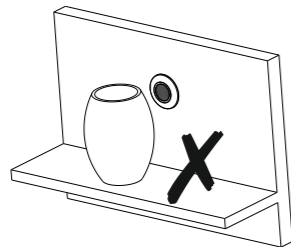
9.3 - After activation there is an inactive period where a red light shows.



## 10 - Low battery indicator -

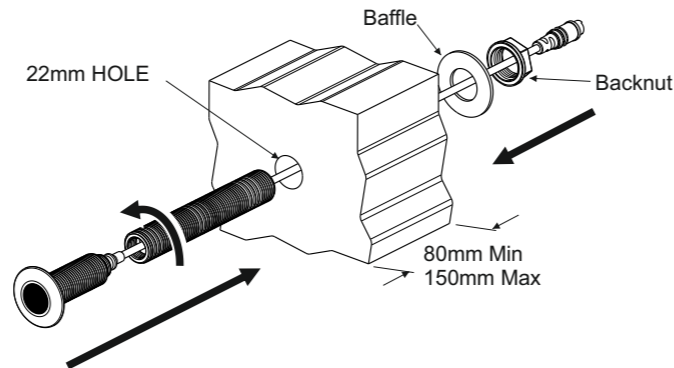
10.1 - When the batteries are low the sensor will rapidly flash red at the end of a flushing operation.

**IMPORTANT**  
Never place any object in front of the sensor



## 11 - Sensor extension kit (optional) -

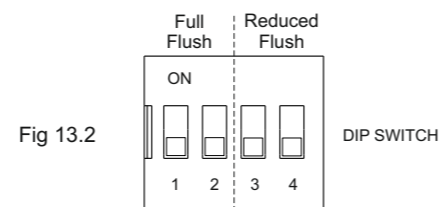
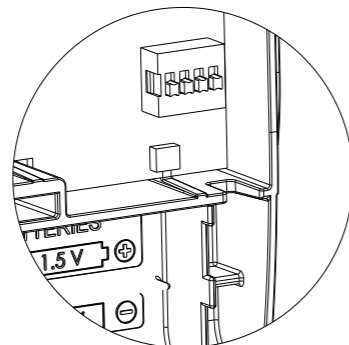
11.1 - Locate the assembly through the wall and fix in place with the backnut.



## 12 - Troubleshooting

12.1 If the cistern does not flush in either full or reduced mode, then the switch settings within the control box can be altered to increase the pump running time. Firstly, remove the battery tab and cover as described in Fig 5.1 Change the switches over for full or reduced flush as shown in Fig 13.2. It is recommended that the switches are only increased 1 position from the factory settings. Refit the battery tab and cover as described in Fig 4.3.

**IMPORTANT**  
Ensure no dirt or moisture enters the control box during this change of settings



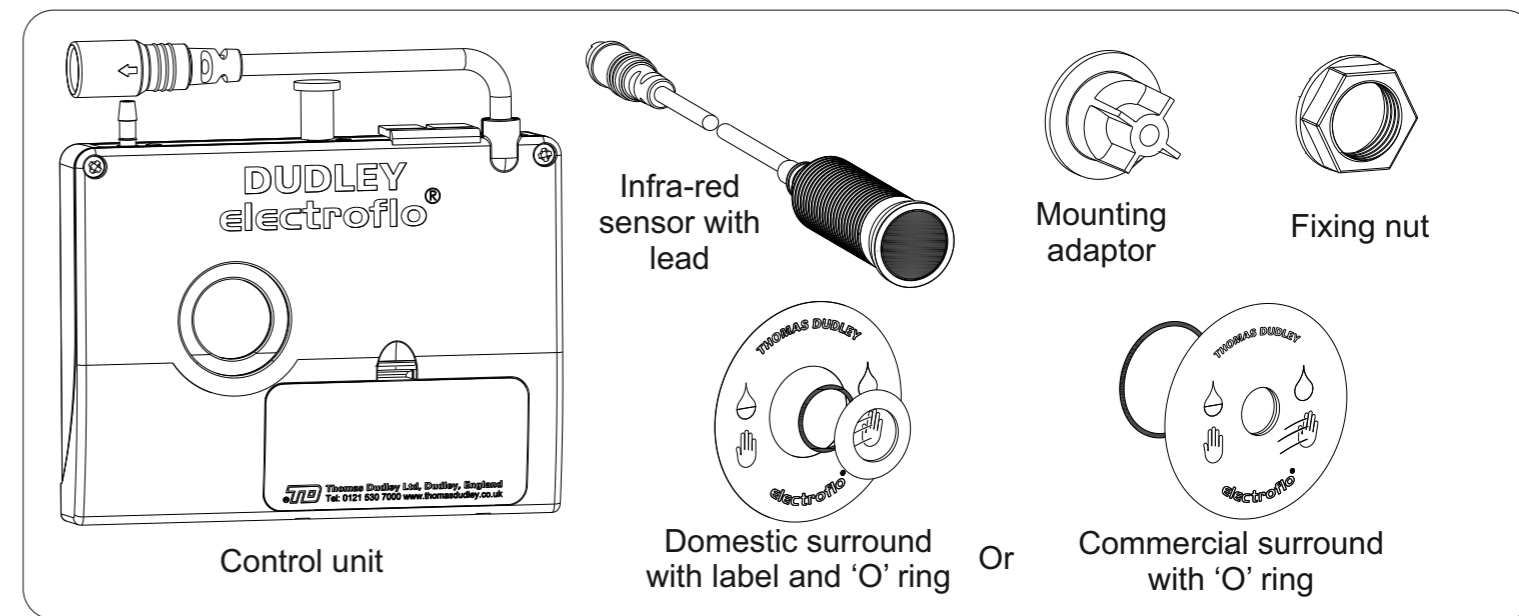
Switch Setting	Pump Running Time
OFF OFF	1.8 seconds
OFF ON	2.1 seconds
ON OFF	2.4 seconds
ON ON	2.7 seconds

Important: Only use genuine Dudley spares or replacement parts

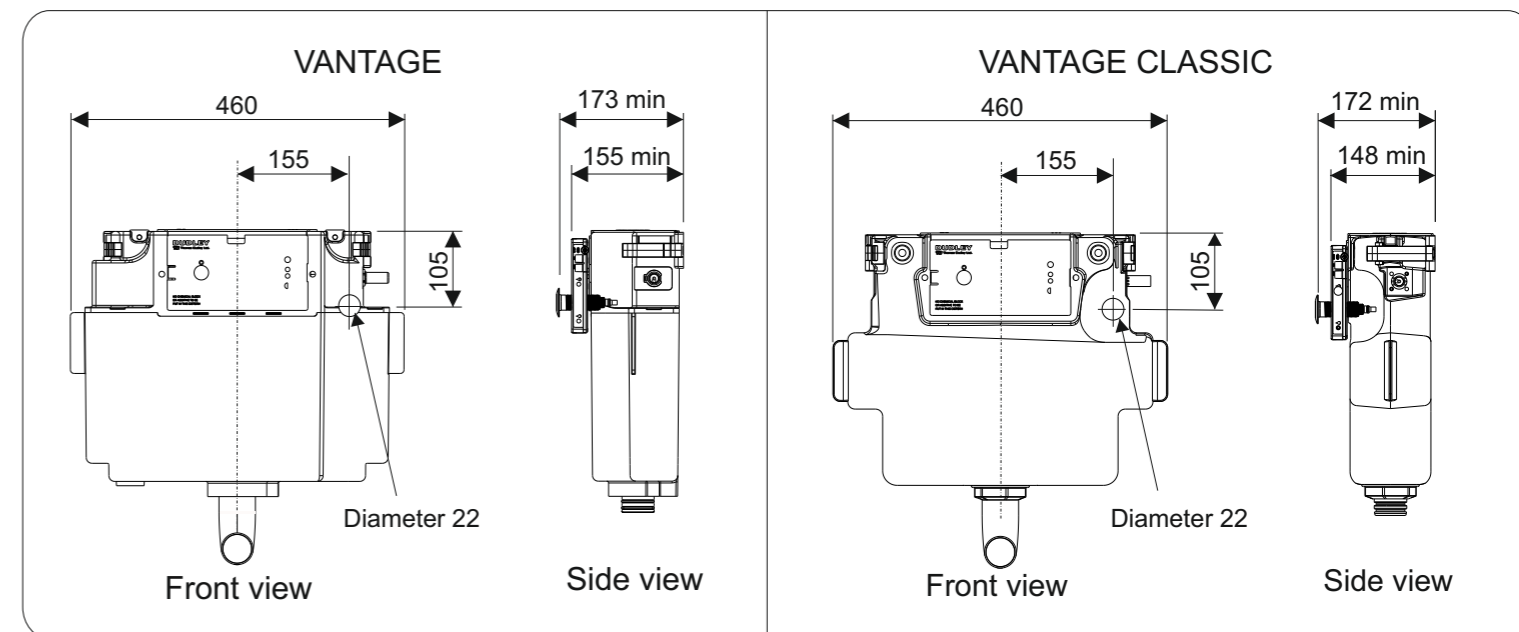
**DUDLEY**  
Thomas Dudley Ltd.

Dauntless Works, P.O.Box 28, Birmingham New Road, Dudley, West Midlands, DY1 4SN

Telephone: 0121 530 7000 Fax: 0121 557 5345  
E-mail: sales@thomasdudley.co.uk

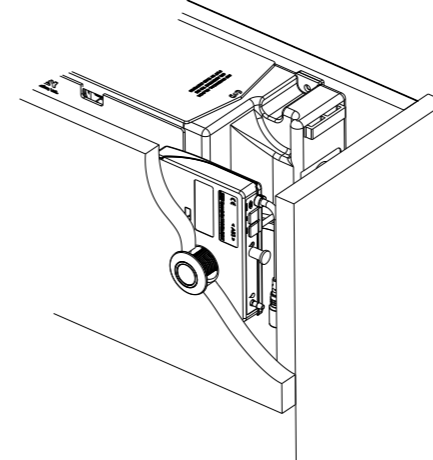


Minimum installation dimensions

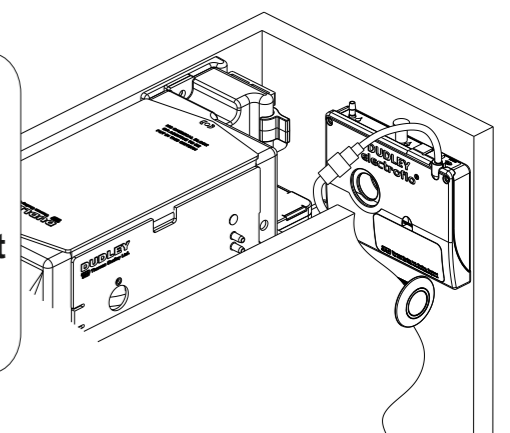


## 1 - Installation options -

Option 1 - Recommended for furniture.



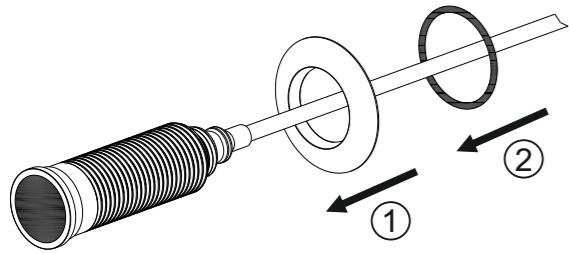
Option 2 - Mounted independent of the sensor.



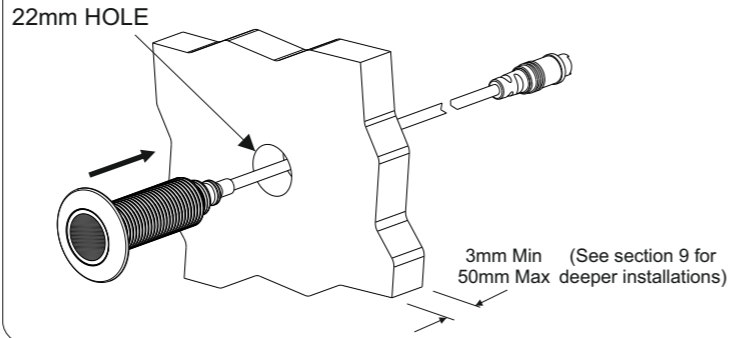
**NOTE**  
Prior to installation ensure raised toilet seat will not cover sensor.

**2 - Installation -**

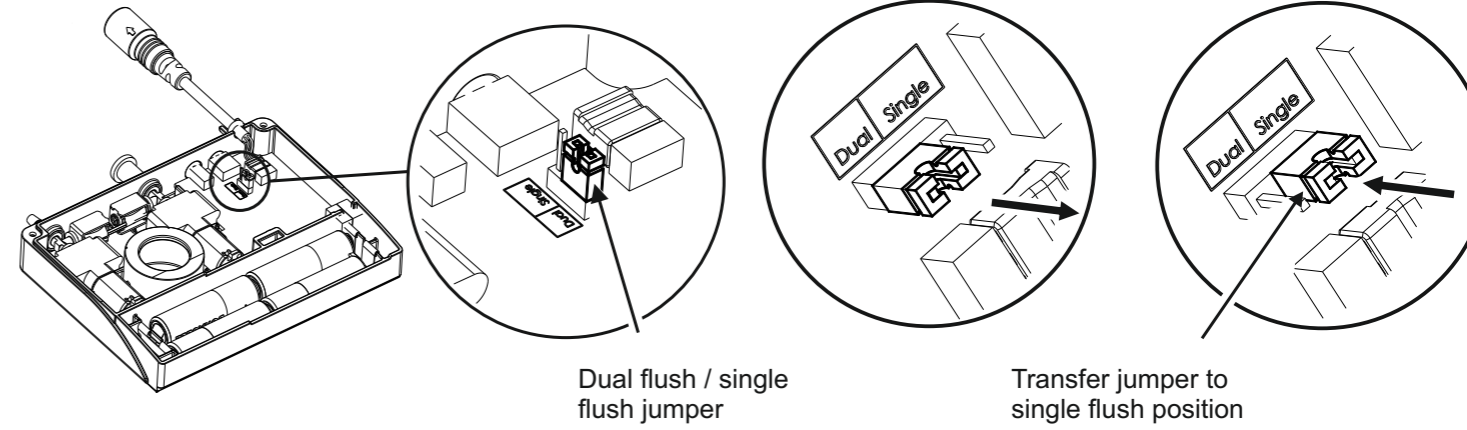
2.1 - Fit surround and 'O' ring to sensor.



2.2 - Fit sensor through panel/wall.

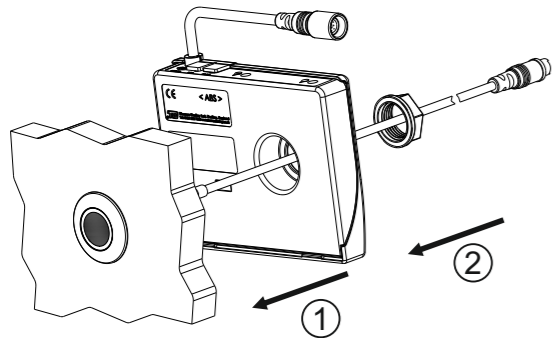


5.2 Gently remove the jumper from the factory set dual flush position and place over the single flush position. See diagrams



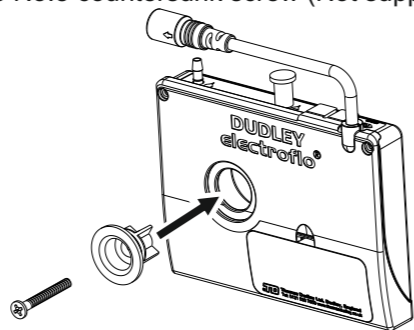
**2.3.1 - Installation option 1 -**

2.3.1 - Fit unit over sensor and fix to panel with backnut.

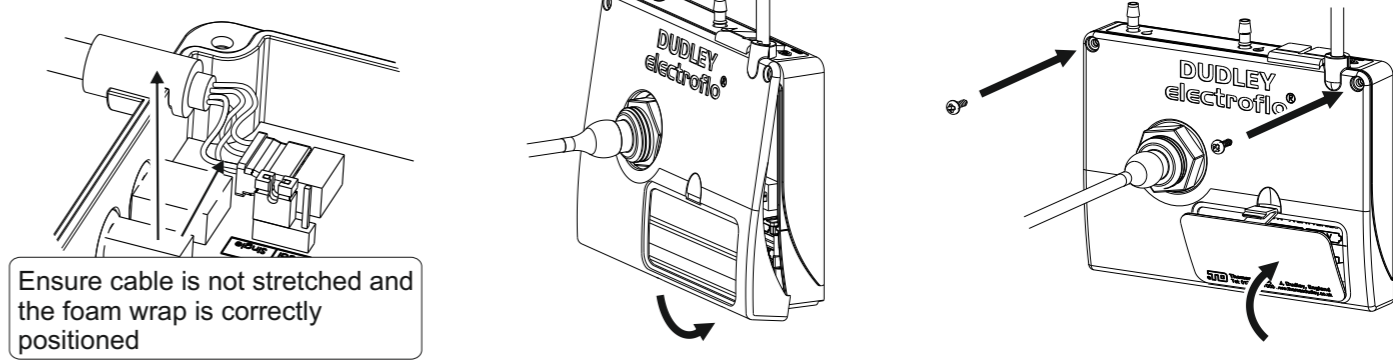


**2.3.2 - Installation option 2 -**

2.3.2 - Fit mounting adaptor and position unit ensuring sensor cable is not stretched and the air tube connectors and battery compartment are accessible. Fix in place with suitable No.8 countersunk screw (Not supplied).

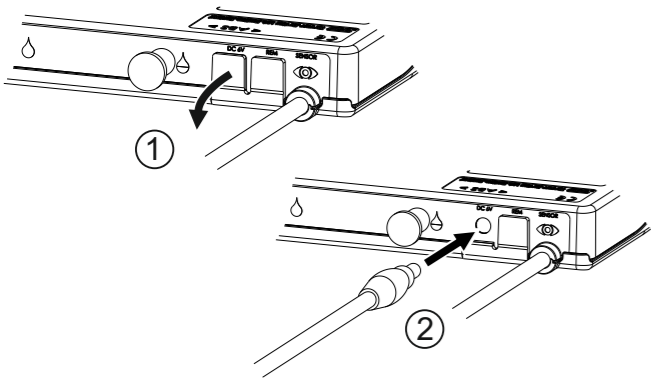


5.3 Refit cover and battery tab as shown



**3 - Mains connection -**

3.1 - Connecting to mains (optional) - Snap off socket cover and connect mains adaptor.

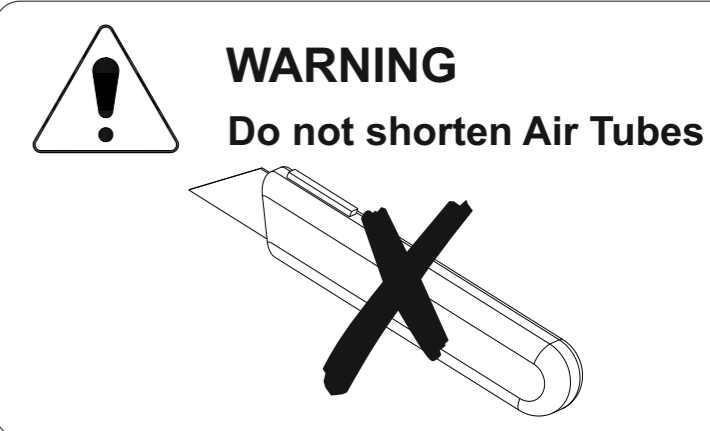
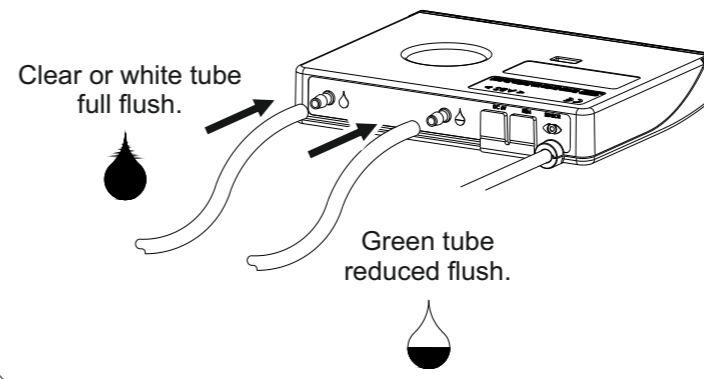


**Installation of the mains adaptor must be carried out and checked by a qualified electrician.**

**Important during installation do not expose the electronics to fluids, dust, dirt or damp.**

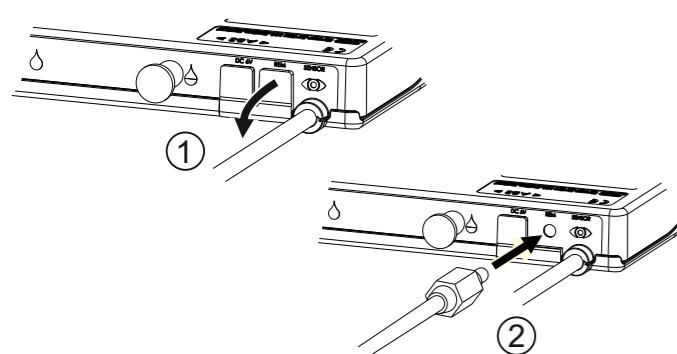
**6 - Air tube connection -**

6.1 - Connect the air tubes



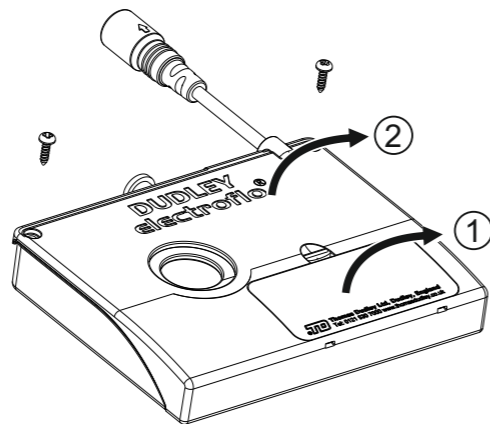
**4 - Remote button connection -**

4.1 - Connecting a remote button (optional) - Snap off socket cover and connect remote button plug.



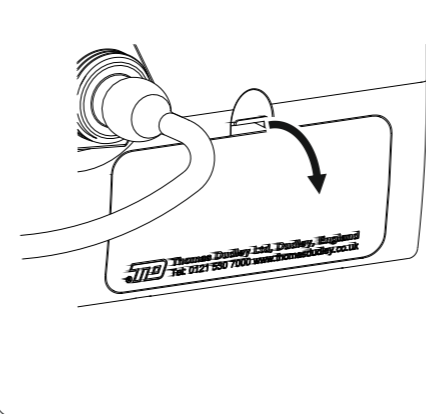
**5 - Single flush -**

5.1 Firstly remove the battery tab and then the cover

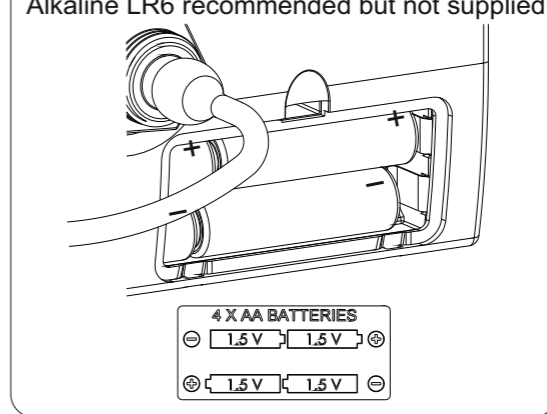


**7 - Installation of batteries -**

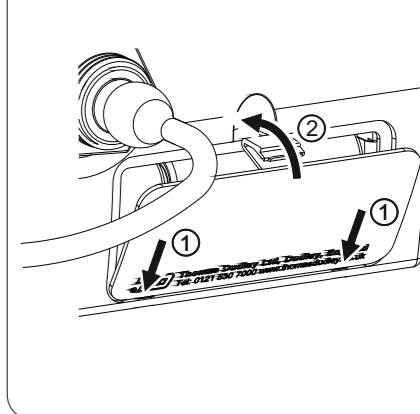
7.1 - Remove the battery cover.



7.2 - Install 4 x AA (1.5 volt) batteries. Alkaline LR6 recommended but not supplied



7.3 - Replace the battery cover.



7.4 - On installation of batteries the sensor will flash red, green, blue repeatedly for 5 seconds. After this a red light will flash every 8 seconds to show the unit is active.