



#### Applications

The most compact one piece syphon that delivers the best flushing performance available. Suitable for use in most low level lever operated cisterns.

#### Water Saving

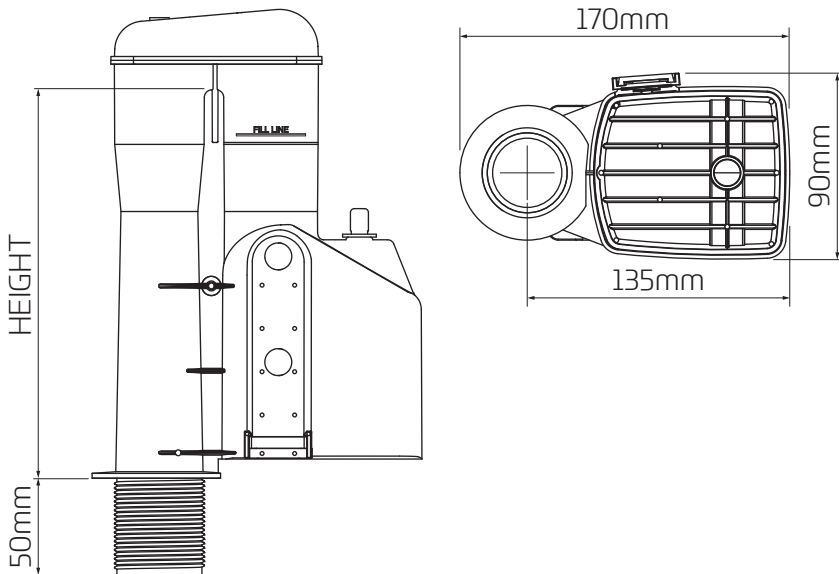
Duoflush®: depress and hold lever for partial flush which gives a reduced flush, or depress and release for full flush.

#### Features

- ~ Suitable for low level use
- ~ 6/7/9 litre convertible allowing flush to be configured to individual cistern requirements
- ~ 1½" (38mm) BSP outlet
- ~ Can be used with a variety of different levers
- ~ WRAS approved.



#### Dimensional Data



#### Scope of Supply

##### Height mm

178 (7")
191 (7½")
203 (8")
216 (8½")
229 (9")
241 (9½")

#### Technical Data

Outlet	1½" (38mm)
Flush Adjustment	6/7/9 litre