



#### Applications

Ideal for use in light to medium duty domestic and commercial applications.

#### Water Saving

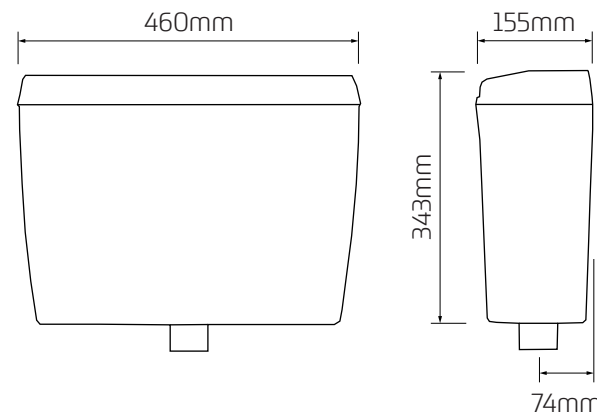
- ~ 6/4 litre Duoflush
- ~ Dudley Duoflush delivers water saving reduced flush when lever is held down and full flush when lever is depressed and released
- ~ Approved by the European Water Label Scheme
- ~ Supports BREEAM.

#### Features

- ~ White plastic lever as standard, chrome available
- ~ WRAS approved Dudley Beta inlet valve
- ~ WRAS approved Dudley syphon
- ~ Suitable for high and low level installations
- ~ Internal overflow warning
- ~ Internal parts comply with the Regulator's Specification



#### Dimensional Data



#### Technical Data

Material	High Density Polystyrene (PS)
Inlet	Dudley Beta Inlet Valve: Side or Bottom (Upgrade available)
Outlet	Dudley Cascade+ Syphon (Upgrade available)
Flush Volume	Duoflush: 6/4 Litre



#### Applications

Ideal for use in light to medium duty domestic and commercial applications.

#### Water Saving

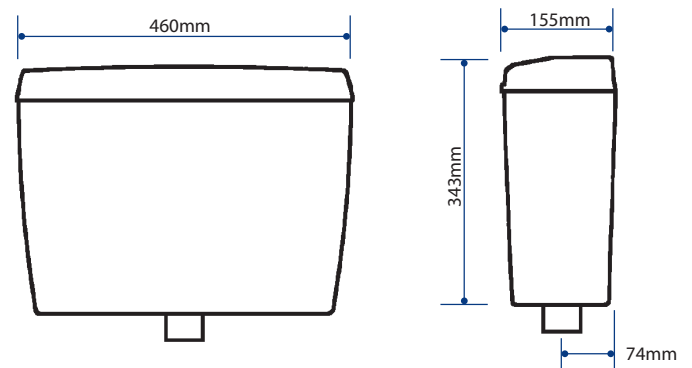
- ~ 6/4 litre dual flush
- ~ Approved by the European Water Label Scheme
- ~ Supports BREEAM.

#### Features

- ~ Chrome dual flush lid mounted push button
- ~ WRAS approved Dudley Beta inlet valve
- ~ WRAS approved Dudley Niagara flushing valve
- ~ Suitable for low level installations
- ~ Internal overflow warning
- ~ Internal parts comply with the Regulator's Specification



#### Dimensional Data



#### Technical Data

Material	High Density Polystyrene (PS)
Inlet	Dudley Beta Inlet Valve: Side or Bottom (Upgrade available)
Outlet	Dudley Niagara: Mechanical
Flush Volume	Dual flush: 6/4 Litre