



Applications

The Mirage is ideal for use behind tiles and partitioning and in most other concealed applications.

Water Saving

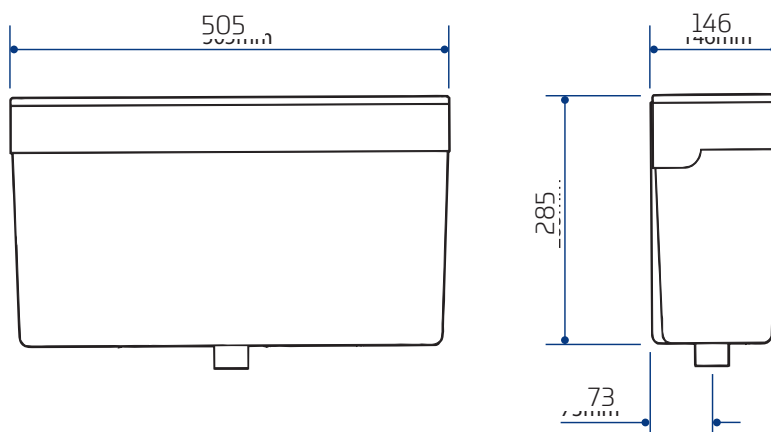
- ~ 6/7 litre convertible
- ~ Dudley Duoflush delivers water-saving reduced flush when lever is held down and full flush when lever is depressed and released
- ~ 6/5/4 litre single flush also available
- ~ Approved by the European Water Label Scheme.

Features

- ~ Levers are fitted with vandal-resistant stops to prevent them being rotated backwards
- ~ WRAS approved Dudley Part 3 inlet valve
- ~ WRAS approved Dudley syphon
- ~ Top access
- ~ Internal/external overflow warning
- ~ Internal parts comply with the Regulator's Specification



Dimensional Data



Technical Data

Operation	High Density Polystyrene (PC)
Inlet	Dudley Beta Inlet Valve: Side or Bottom (Upgrade available)
Outlet	Dudley Cascade+ Syphon (Upgrade available)
Flush Volume	Dual Flush: 6/4 Litre, 7/5 Litre
Lever Reach	12-365mm