



### New Installations

- 1 Fit rubber washer to syphon down leg.
- 2 Insert down leg tail into cistern aperture.
- 3 Secure syphon to cistern using 1½" BSP back nut.

**Close coupled cisterns:** The close coupling seal should be replaced and the syphon tail should be trimmed to 2mm beyond the back nut when fitted.

- 4 Fit appropriate cone ring to flush pipe...

**Low level cistern:** Use thin cone ring

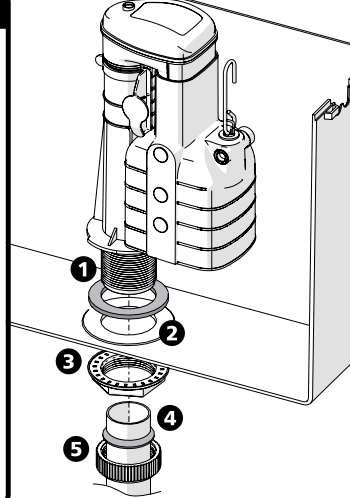
**High level cistern:** Use thick cone ring

- 5 Insert flush pipe including cone ring no more than 50mm into syphon tail and secure with cap nut (hand tight + quarter turn with spanner).

- ! No sealing compound, paste, flux or solvent to be used. PTFE tape may be used on threads.

- 6 Reconnect WC pan, water supply, overflow and internal lever and gently turn on water supply.

- ! Ensure the inlet valve discharges clear of the syphon main body.



### Retro-fit Installations (to an existing Dudley Turbo™ down leg)

- 1 Remove yellow snap pin from existing syphon and remove syphon body leaving the Turbo™ down leg in place.
- 2 Unlock the new Turbo Edge® snap pin (The snap pin is now retained within the mechanism for your convenience, do not remove). Disassemble the new syphon and discard the down leg.

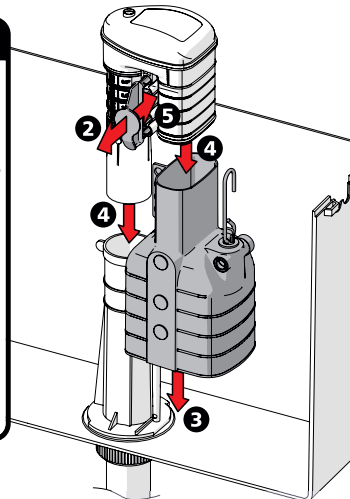
- 3 Slide the main body onto the down leg ensuring it is fully home.

- 4 With the snap pin still in the unlocked position, insert the spillover into the down leg and main body as shown.

- 5 Lock the snap pin to secure the syphon. See below to adjust height.

- 6 Reconnect WC pan, water supply, overflow and internal lever and gently turn on water supply.

- ! Ensure the inlet valve discharges clear of the syphon main body.



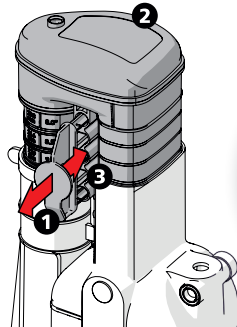
### Height adjustment

Adjustable between 191mm (7.5") - 241mm (9.5").

- 1 Unlock the new Turbo Edge® snap pin (The snap pin is now retained within the mechanism for your convenience, do not remove).

- 2 Adjust the spillover height so that the water line marked on the snap pin matches the level marked inside the cistern. The main body should be positioned at the bottom of the down leg unless a stagger is required.

- 3 Lock the snap pin to secure.



### New Installations

- 1 Fit rubber washer to syphon down leg.
- 2 Insert down leg tail into cistern aperture.
- 3 Secure syphon to cistern using 1½" BSP back nut.

**Close coupled cisterns:** The close coupling seal should be replaced and the syphon tail should be trimmed to 2mm beyond the back nut when fitted.

- 4 Fit appropriate cone ring to flush pipe...

**Low level cistern:** Use thin cone ring

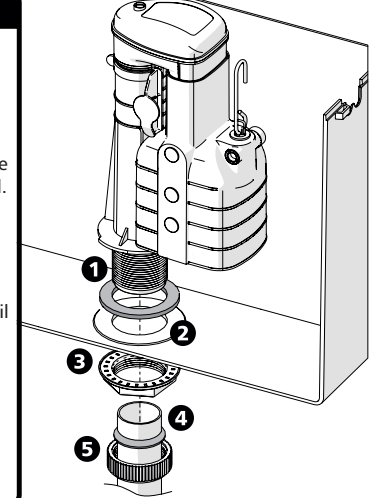
**High level cistern:** Use thick cone ring

- 5 Insert flush pipe including cone ring no more than 50mm into syphon tail and secure with cap nut (hand tight + quarter turn with spanner).

- ! No sealing compound, paste, flux or solvent to be used. PTFE tape may be used on threads.

- 6 Reconnect WC pan, water supply, overflow and internal lever and gently turn on water supply.

- ! Ensure the inlet valve discharges clear of the syphon main body.



### Retro-fit Installations (to an existing Dudley Turbo™ down leg)

- 1 Remove yellow snap pin from existing syphon and remove syphon body leaving the Turbo™ down leg in place.
- 2 Unlock the new Turbo Edge® snap pin (The snap pin is now retained within the mechanism for your convenience, do not remove). Disassemble the new syphon and discard the down leg.

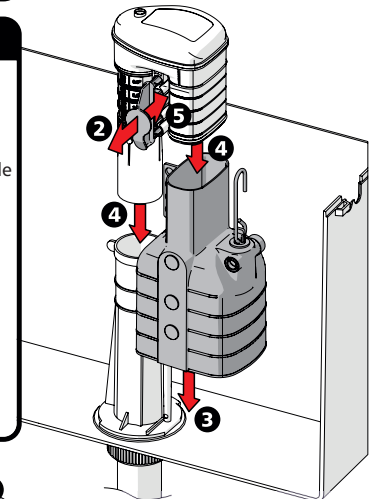
- 3 Slide the main body onto the down leg ensuring it is fully home.

- 4 With the snap pin still in the unlocked position, insert the spillover into the down leg and main body as shown.

- 5 Lock the snap pin to secure the syphon. See below to adjust height.

- 6 Reconnect WC pan, water supply, overflow and internal lever and gently turn on water supply.

- ! Ensure the inlet valve discharges clear of the syphon main body.



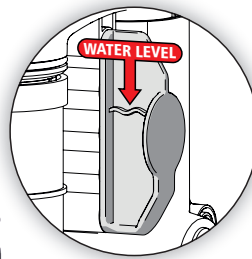
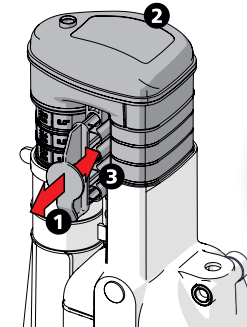
### Height adjustment

Adjustable between 191mm (7.5") - 241mm (9.5").

- 1 Unlock the new Turbo Edge® snap pin (The snap pin is now retained within the mechanism for your convenience, do not remove).

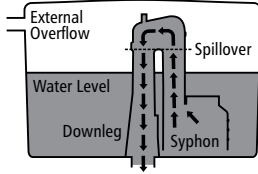
- 2 Adjust the spillover height so that the water line marked on the snap pin matches the level marked inside the cistern. The main body should be positioned at the bottom of the down leg unless a stagger is required.

- 3 Lock the snap pin to secure.



### Internal Overflow

Internal overflow is attained if syphon spillover is below the external overflow and between 25-32mm above the marked water level of the cistern.

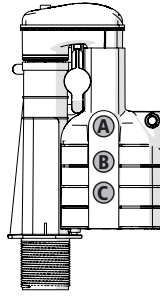


### Set the flush volume

**Full Flush:** Depress and release lever.  
**Reduced Flush:** Depress and hold lever.

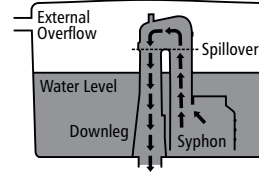
6 Litre Flush	Remove flush plug A	<b>A</b>
7 Litre Flush	Remove flush plug B	<b>B</b>
8 Litre Flush	Remove flush plug C	<b>C</b>
9 Litre Flush	Leave all flush plugs in place	

**Note:** For non Dudley cisterns the above should be used as a guide only.



### Internal Overflow

Internal overflow is attained if syphon spillover is below the external overflow and between 25-32mm above the marked water level of the cistern.

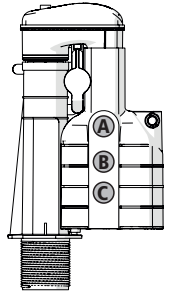


### Set the flush volume

**Full Flush:** Depress and release lever.  
**Reduced Flush:** Depress and hold lever.

6 Litre Flush	Remove flush plug A	<b>A</b>
7 Litre Flush	Remove flush plug B	<b>B</b>
8 Litre Flush	Remove flush plug C	<b>C</b>
9 Litre Flush	Leave all flush plugs in place	

**Note:** For non Dudley cisterns the above should be used as a guide only.



### Servicing

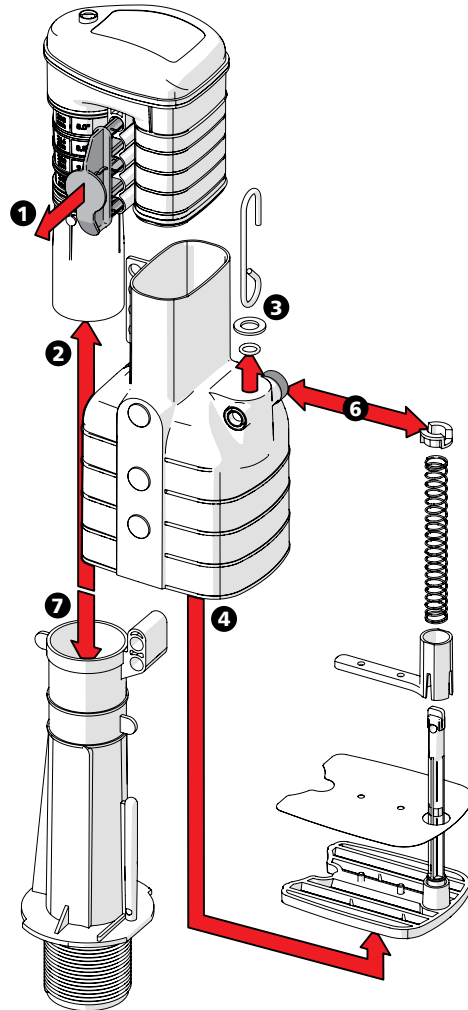
Dudley Turbo Edge spares pack required.

- 1 Disconnect lever and unlock snap pin.
- 2 Firstly remove the spillover, then remove the syphon main body from down leg.
- 3 Remove C-link and washers to release the piston.
- 4 Remove piston assembly.
- 5 Replace worn parts i.e diaphragm, washers and O-rings. To access diaphragm remove the diaphragm retainer.
- 1 Skip step 6
- 7 Re-assemble piston to main body and refit to down leg, refit the spillover and lock snap pin.

### Single flush conversion

Turbo Edge® syphons are supplied in Duoflush mode. Conversion to single flush is recommended for high level installations.

- 1 Disconnect lever and unlock snap pin.
- 2 Firstly remove the spillover, then remove the syphon main body from down leg.
- 3 Remove C-link and washers to release the piston.
- 4 Remove piston assembly.
- 1 Skip step 5.
- 6 Replace the stepped washer from the piston rod with the single flush washer stored on the rear of the syphon main body.
- 7 Re-assemble piston to main body and refit to down leg, refit the spillover and lock snap pin.



### Servicing

Dudley Turbo Edge spares pack required.

- 1 Disconnect lever and unlock snap pin.
- 2 Firstly remove the spillover, then remove the syphon main body from down leg.
- 3 Remove C-link and washers to release the piston.
- 4 Remove piston assembly.
- 5 Replace worn parts i.e diaphragm, washers and O-rings. To access diaphragm remove the diaphragm retainer.
- 1 Skip step 6
- 7 Re-assemble piston to main body and refit to down leg, refit the spillover and lock snap pin.

### Single flush conversion

Turbo Edge® syphons are supplied in Duoflush mode. Conversion to single flush is recommended for high level installations.

- 1 Disconnect lever and unlock snap pin.
- 2 Firstly remove the spillover, then remove the syphon main body from down leg.
- 3 Remove C-link and washers to release the piston.
- 4 Remove piston assembly.
- 1 Skip step 5.
- 6 Replace the stepped washer from the piston rod with the single flush washer stored on the rear of the syphon main body.
- 7 Re-assemble piston to main body and refit to down leg, refit the spillover and lock snap pin.

