



### Applications

Designed for use with Dudley Vantage, Miniflo and Royal concealed cisterns and Illusion A and V frames.

### Water Saving

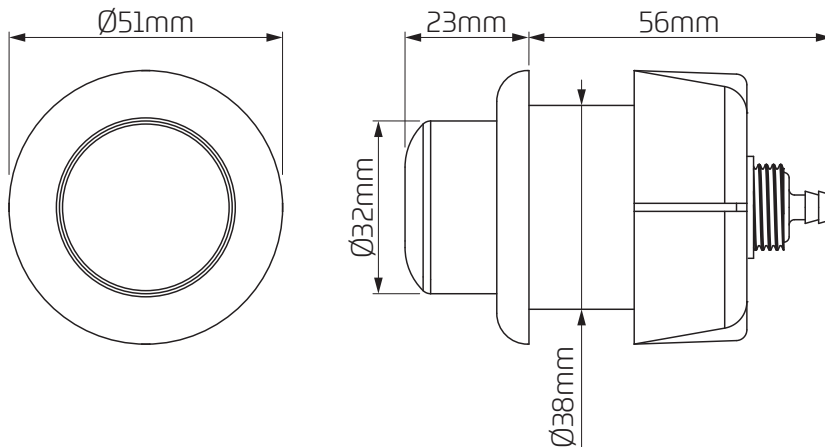
Dual flush operation provides reduced flush for enhanced water saving.

### Features

- ~ Protruding button design for ease of use
- ~ Chrome plated finish
- ~ Smooth pneumatic operation
- ~ Can be positioned up to 250mm from the cistern.



### Dimensional Data



### Technical Data

Wall Thickness	5-46mm
Installation Aperture	2 x Ø40mm holes
Fixing Type	Back Nut (Reversible)
Button Operation	Pneumatic
Flush Option	Dual Flush