

# Dudley



## DUDLEY REMORA™

Vandal-Resistant Metal Push Plate

### Applications

Designed for use with Dudley pneumatic cisterns. Ideal for applications where a risk of vandalism or misuse is present.

### Water Saving

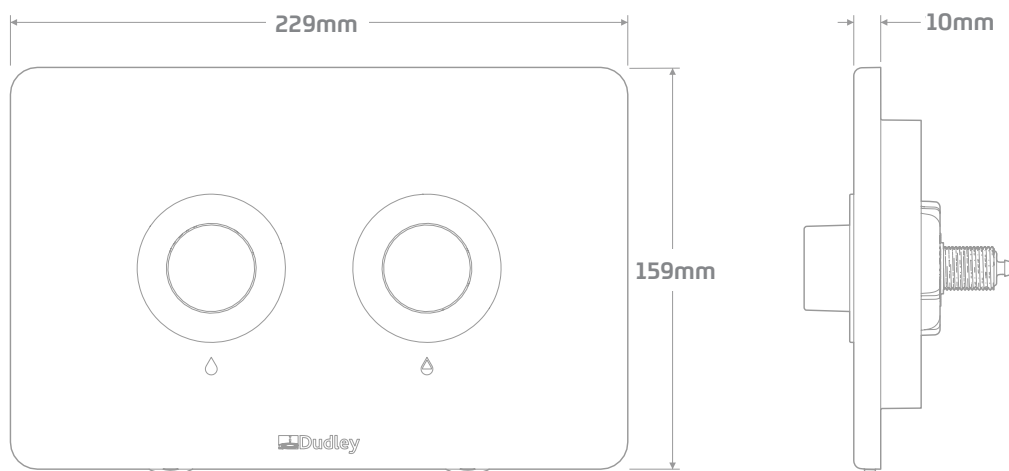
Dual flush operation provides reduced flush for enhanced water saving.

### Features

- ~ High impact vandal-resistant stainless steel construction
- ~ Smooth pneumatic operation
- ~ Push buttons available in polished or satin finishes.



### Dimensional Data



### Technical Data

Operation	Pneumatic
Pneumatic Tube Length	750mm
Required Aperture	205mm x 115mm
Mounting Options	IPS Panelling, Furniture, Walls
Material	Stainless Steel AISI 304
Code	Satin button finish - 327227 Polished button finish - 328155