



Applications

Perfect for use within commercial washrooms that have either vanity tops or mounted directly to the basin.

Water Saving

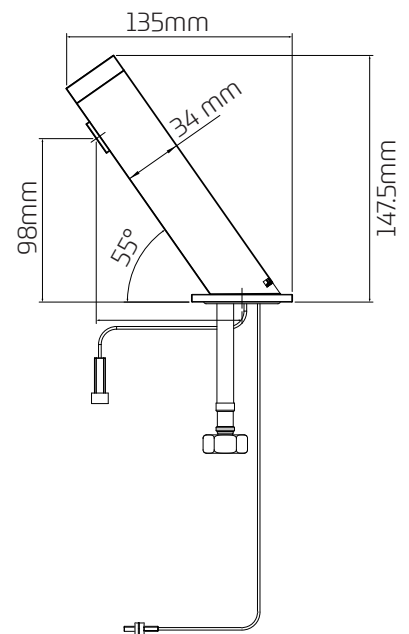
Can deliver as little as 1 litre per visit for advanced water saving and also supports BREEAM.

Features

- ~ Sleek minimalist design
- ~ Hygienic touch free operation
- ~ Delivers cold or premixed water (thermostatic mixing valve required for premixed water)
- ~ Robust one piece brass body and vandal resistant design
- ~ 15mm push-fit connection
- ~ Mains or battery powered options available
- ~ Tap shuts off when hand is removed from sensor, water delivery rates can be adjusted
- ~ Fail safe feature automatically closes the solenoid when power is cut or power is very low
- ~ Available in polished chrome and stainless steel finishes.



Dimensional Data



Technical Data

Operating Voltage	9V DC
Mains Supply	230V AC 50Hz
Battery Supply	9V PP3
Sensor Range	50MM - 300MM
Max Water Temperature	70°C
Flow Rate	6L Per Minute Standard (1.9 - 3.5L available)
Water Pressure	0.5 - 8.0 Bar
Connection	15mm Push-fit