



#### Applications

Designed for use with Dudley Vantage and Miniflo concealed cisterns and Illusion A and V Frames.

#### Water Saving

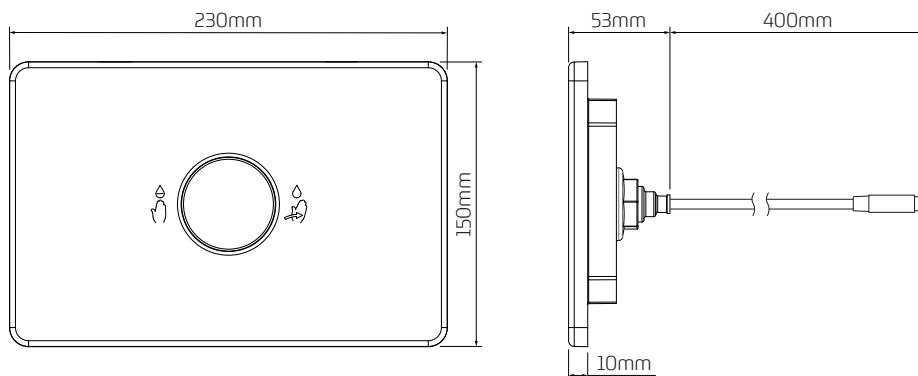
Dual flush operation provides reduced flush for enhanced water saving.

#### Features

- ~ Brushed 304 stainless steel
- ~ Hygienic touch free operation
- ~ Interactive sensor indicates full or reduced flush activation
- ~ Vandal-resistant design
- ~ Compatible with electroflo junction box to power 10 units from 1 mains input
- ~ Can be positioned up to 250mm from the cistern
- ~ Compatible as a replacement for other Dudley Electroflo™ sensors and flush plates.



#### Dimensional Data



#### Technical Data

Operating Voltage	6V DC (Transformer Supplied)
Nominal Voltage	230V AC
Sensor Range	50mm
Fill Delay Time	30secs
Product Code	326394