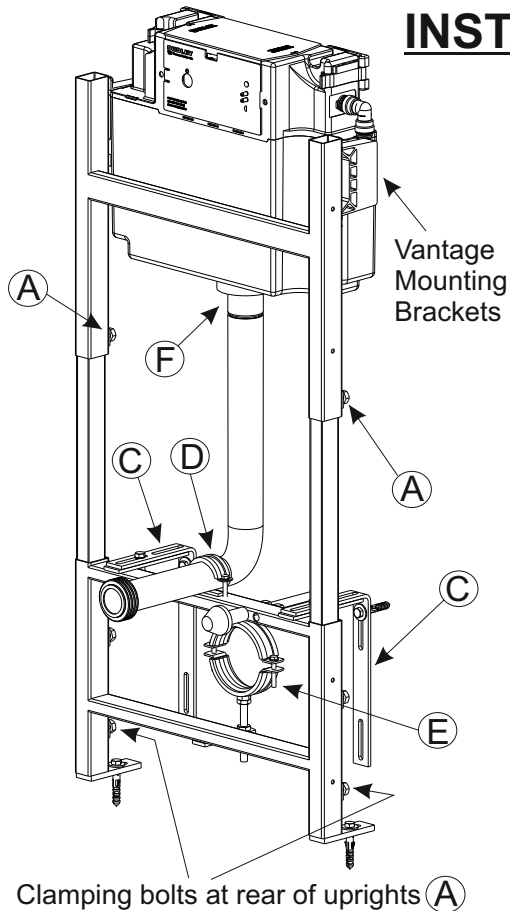


Specifically designed for wall hung pans, can be sited on a flat wall, in a corner or used within furniture.

INSTALLATION INSTRUCTIONS



1. Set frame height .

To adjust the height of the frame slacken off the bolts holding the adjustable legs in frame (A). Adjust the lower section of the frame so that the WC pan rim is 400mm above the floor level. Re-tighten the bolts clamping the frame into position. The feet can be rotated, into any position to suit installation, by using the screw at the foot of the leg (B). Adjust the top section of the frame to the required height and re-tighten the bolts.

2. Fit wall straps to frame.

The wall straps (C) can be adjusted and used in any orientation dependant on the depth of installation required. Minimum depth is 150mm, maximum depth is 370mm. Once positioned attach firmly to the frame using the M8 bolts, nuts and washers provided.

3. Fixing to wall and floor.

Attach frame securely to wall and floor using the plugs, washers and hex head screws provided. See diagrams overleaf for corner fitting. It is the responsibility of the installer to ensure that these fixings in the wall and floor are strong enough to adequately support the load which will be applied to the pan in use. It is recommended that fixings are as close as possible to the horizontal part of the brackets.

4. Fitting flushpipe.

Cut the vertical section of the pipe to the required length, ensuring the pipe is cut straight. Push the flushpipe onto the spigot of the Vantage cistern and secure in place using clamp (D). Cut the horizontal section of the pipe to the required length. When installing the frame at its maximum height use the flushpipe extension piece (F) supplied.

5. Fitting pan connector.

Fit a pan connector or soil pipe to clamp (E) and position to suit the pan being fitted. When in the correct position, complete plumbing to the soil piping.

6. Fitting Partition.

Fit Partition/Wall/Furniture prior to fitting Pan.

7. Fitting pan.

Ensure M12 allthread protrudes sufficiently for correct and secure installation of the pan. See fig. 1 for installation detail.

Notes -

- Pan outlet connector and soil pipe seal to be purchased separately. Required diameter 110mm

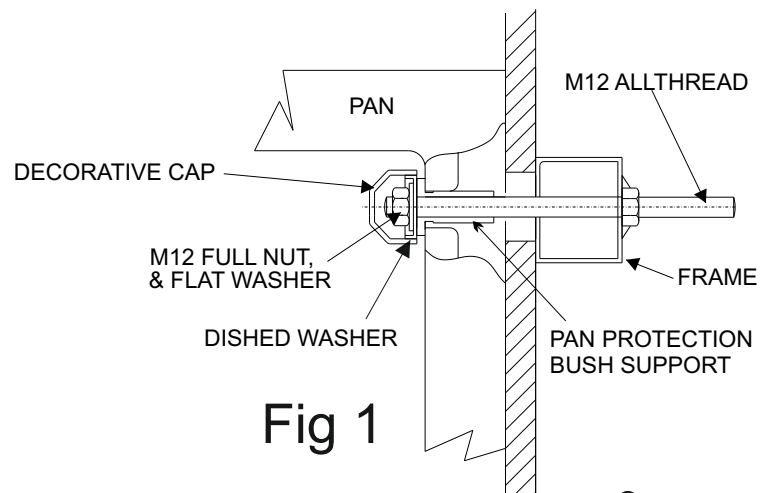
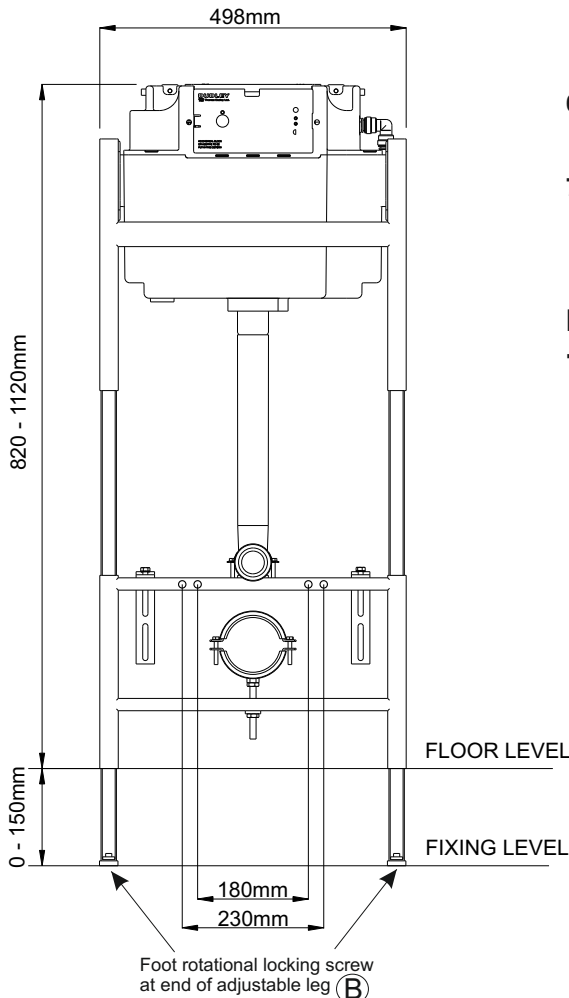
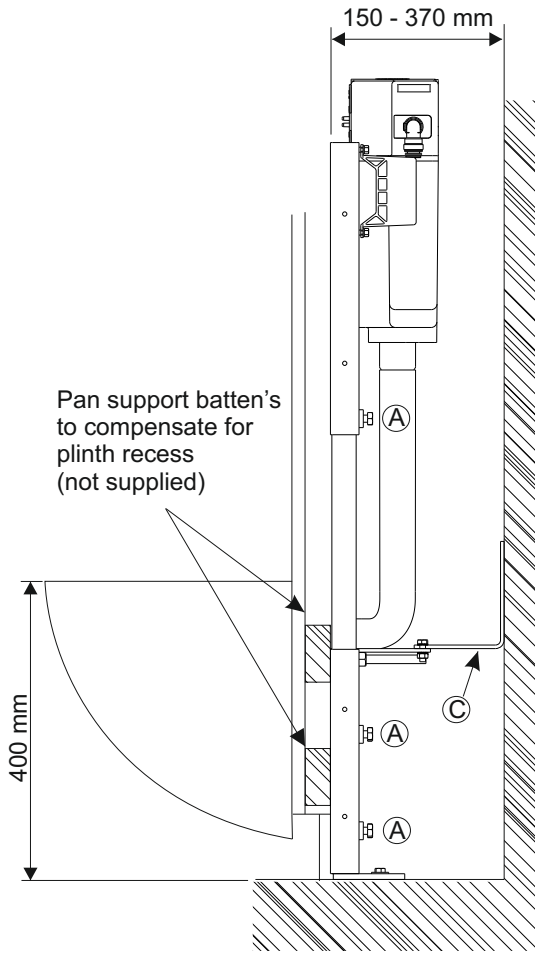
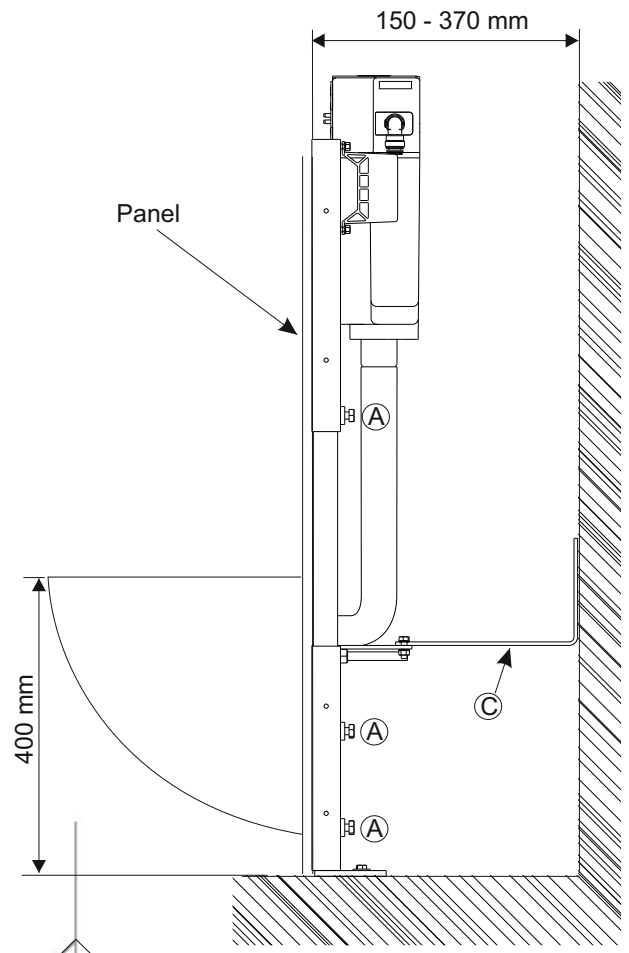


Fig 1

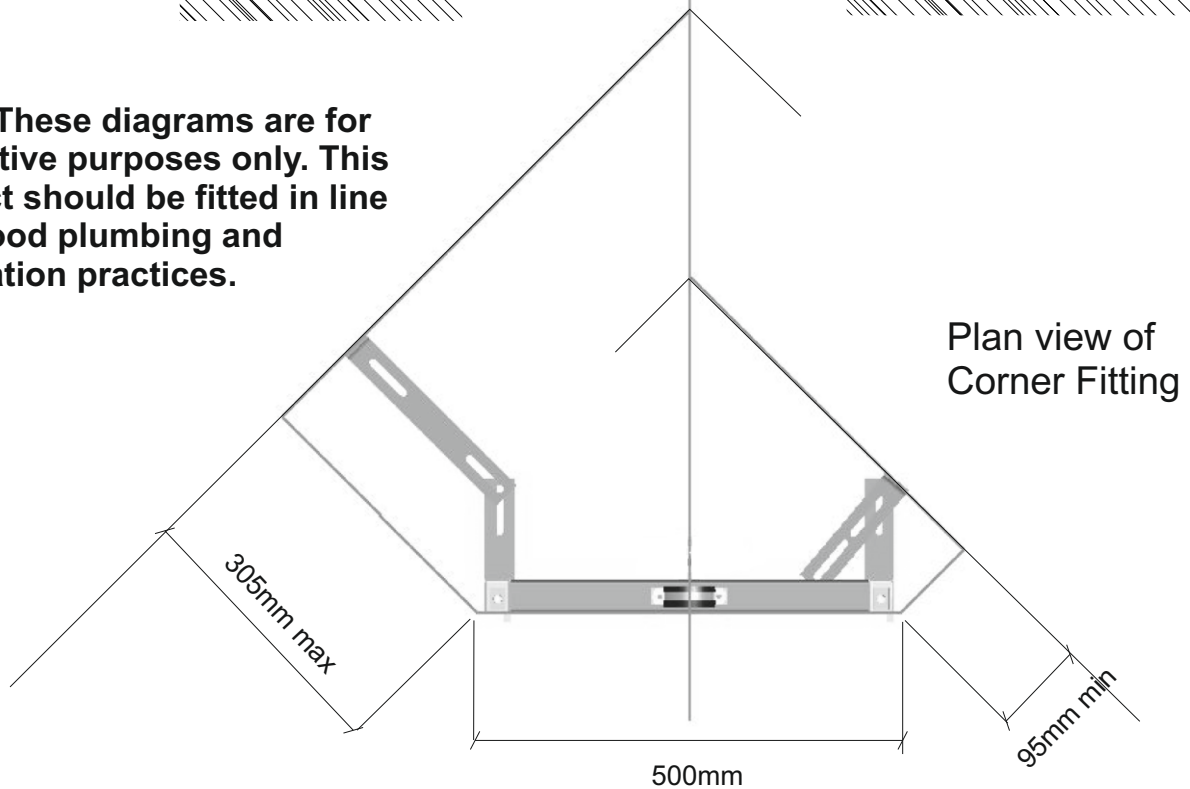
**Built-in System
in Furniture**



**Built-in System
with dry wall**



Note - These diagrams are for illustrative purposes only. This product should be fitted in line with good plumbing and installation practices.



Plan view of
Corner Fitting

DUDLEY
TD Thomas Dudley Ltd.

Dauntless Works, P.O.Box 28, Birmingham New Road, Dudley,
West Midlands, DY1 4SN

Telephone: 0121 530 7000 Fax: 0121 557 5345 E-mail: sales@thomasdudley.co.uk