

Adjustment

This Turbo 88 adjusts from 191mm (7.5") - 241mm (9.5") and is ideal for use in most lever operated WC cisterns.

- 1 Remove the snap pin from the front of the syphon
- 2 Holding the downleg, slide the spill-over section (A) up, revealing section B from inside the downleg. Using the measurements on section B set this section (B) to the required height
- 3 Hold section A and B and slide the main body section down to the required height, revealing section C
- 4 Replace the snap pin, locking it securely through the in-line fixing holes in the spill-over section, main body section and downleg

Flush Volume Convertible

6L Nominal flush (cistern & WC pan installed from Jan 2001):
Remove upper slide plug only

7L Nominal flush (cistern & WC pan installed after 1st Jan 1993):
Remove lower slide plug only

9L Nominal flush (cistern & WC pan installed before 1st Jan 1993):
Leave both slide plugs in place

Single Flush Conversion

~ Remove the 'C' Link. Remove the blue plastic washer and black washer from the piston rod and retain

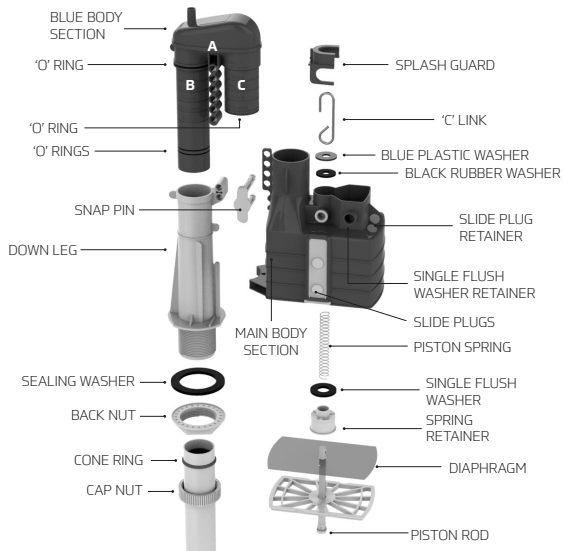
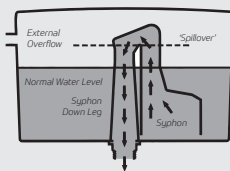
~ Remove the piston assembly from the main body section. Remove the single flush washer from the single flush washer retainer (located on the main body section) and fit to the top of the spring retainer (see exploded parts diagram)

~ Reassemble the piston assembly and replace into the main body section

~ Replace the black rubber washer and blue plastic washer onto the piston rod protruding from the top of the main body section. Make sure that the black rubber washer is added to the piston rod first so that it sits directly on top of the blue body. Replace the 'C' link. Both washers should also be below the rim of the splash guard

Internal Overflow

Internal overflow is attained if syphon 'spillover' is below the external overflow and between 25-32mm above the marked water level of the cistern



1 Duoflush Operation

Full flush: Depress and release lever
Reduced flush: Depress and hold lever until flush is complete

2 Single Flush Conversion

Turbo 88 syphons are supplied in Duoflush mode. Conversion to single flush is recommended for higher level installations

3 Pre-Installation

- ~ Check the syphon will fit into the cistern and is the correct height
- ~ Turn off water supply to the cistern
- ~ For close-coupled WC suites: disconnect cistern from water inlet pipe, overflow and pan and unscrew from the wall before removing old syphon.
- IMPORTANT:** The 50mm threaded tail should also be trimmed to 2mm beyond the back nut when fitted to the cistern
- ~ Disconnect 'C' link from internal lever
- ~ Unscrew syphon outlet nut(s) and remove old syphon from cistern (including old washers)
- ~ Clean around cistern outlet hole

4 Installation

- ~ Fit Turbo 88 with rubber sealing washer inside cistern. Fit and tighten back nut. No sealing compound, paste, flux or solvent to be used with plastic or rubber surfaces. PTFE tape may be used on threads
- ~ Low level cistern: use thin cone ring. High level cistern: use thick cone ring. Fit cone ring on to flush pipe
- ~ Ensure no more than 50mm (2") of flush pipe fits onto syphon tail. Fit and tighten cap nut. Do not over tighten
- ~ For close-coupled suites a new seal should be fitted between cistern and WC pan. Reconnect WC pan, water supply and overflow pipe
- ~ Reconnect 'C' link to internal lever, then gently turn on water supply
- ~ Ensure inlet valve discharges clear of the syphon chamber
- ~ **IMPORTANT:** if this new syphon is to be retrofitted to an existing fixed downleg, remove the 2 bottom 'O' rings from section B.

5 Servicing

- ~ Obtain Dudley Turbo 88 spares pack
- ~ Disconnect lever
- ~ Remove snap pin
- ~ Slide blue section upwards to remove the main body from the downleg
- ~ Remove piston and replace worn parts with 'Dudley' diaphragms and washers
- ~ Replace 'O' rings to ensure good seal. (Do not use jointing compound or adhesive)
- ~ Re-fit all parts, slide main body down white guide rib and refit snap pin



Dudley ProFit+
The rewards scheme
for professional
installers

Collect points when you purchase selected Dudley products and exchange them for great rewards!

profit.thomasdudley.co.uk