



#### Applications

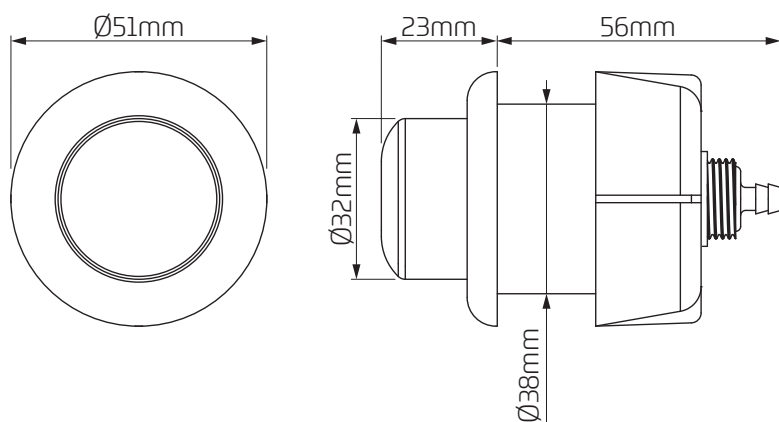
Designed for use with Dudley Vantage, Miniflo and Royal concealed cisterns and Illusion A and V frames.

#### Features

- ~ Protruding button design for ease of use
- ~ Chrome plated finish
- ~ Smooth pneumatic operation
- ~ Can be positioned up to 250mm away from the cistern.



#### Dimensional Data



#### Technical Data

Wall Thickness	5-46mm
Installation Aperture	Ø38-40mm hole
Fixing Type	Back Nut (Reversible)
Button Operation	Pneumatic
Flush Option	Single Flush