



#### Applications

Wall-hung WC pan support frame designed for use against flat walls and in corners; ideal for most domestic and commercial applications.

#### Water Saving

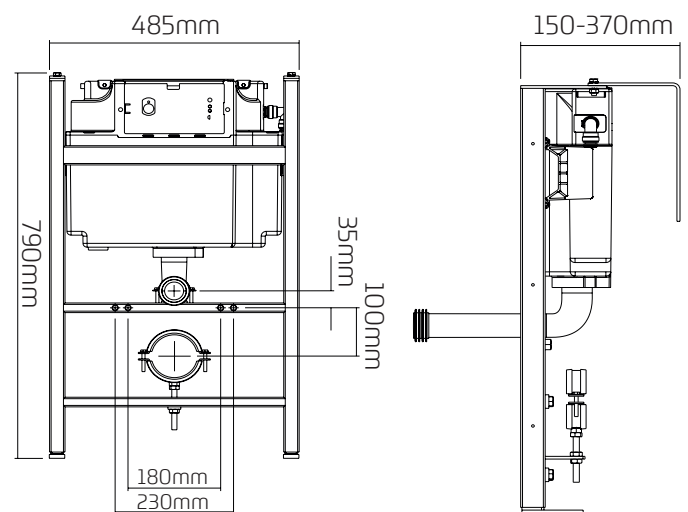
- ~ Vantage cistern
- ~ Provides 6/4 litre dualflush and quickly and easily converts before or after installation to 5/3 or 4/2.6 litre dualflush
- ~ 6 litre single flush also available
- ~ Delay fill Hydroflo inlet valve only allows cistern to start refilling once flushing is complete
- ~ European Water Label Scheme approved
- ~ Supports BREEAM.

#### Features

- ~ Wall and floor fixing brackets can be fixed through 180 degrees and 360 degrees respectively to simplify installation
- ~ Legs adjust to offer WC pan height fixing flexibility
- ~ Strong steel tubular section construction
- ~ Blue painted finish and galvanised wall and floor brackets
- ~ Passes 400Kg load test based on EN 997
- ~ Flushbend and WC pan connector clamps
- ~ Integral factory fitted Dudley Vantage cistern
- ~ Floor and WC pan fixing bolts included.



#### Dimensional Data



#### Technical Data

Operation	Pneumatic
Pneumatic tube length	750mm
Inlet	Side
Outlet	Valve
Fixing orientation	Wall and floor fixed
Load capacity	Tested to 400KG