



#### Applications

Designed for use with Dudley Vantage and Miniflo concealed cisterns and Illusion A and V frames.

#### Water Saving

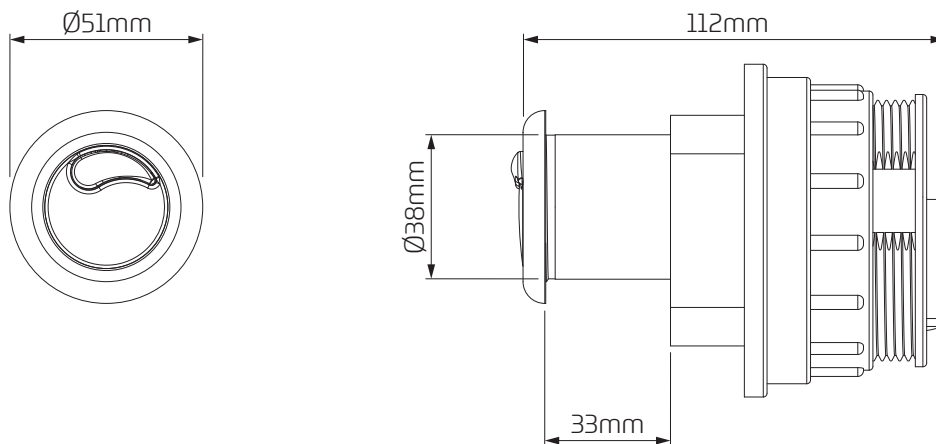
Dual flush operation provides reduced flush for enhanced water saving.

#### Features

- ~ Available finishes include polished chrome and matt chrome
- ~ Smooth pneumatic operation
- ~ Can be positioned up to 250mm from the cistern
- ~ Button extension available for larger wall thicknesses.



#### Dimensional Data



#### Technical Data

Wall Thickness	12 - 32mm Thickness
Installation Aperture	Ø40mm Hole
Fixing Type	Locking Collet (Supplied)
Button Operation	Pneumatic
Flush Option	Dual Flush