



Applications

Ideal for use behind tiles and partitioning and in most other concealed applications.

Water Saving

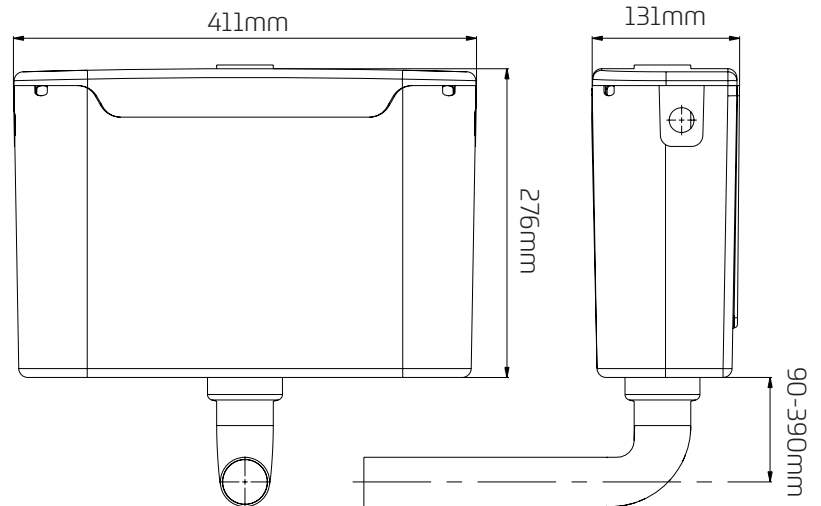
- ~ 6/4 litre dualflush
- ~ Quickly and easily converts before or after installation to 5/3 or 4/2.6 litre dualflush
- ~ 6/5/4 litre single flush also available
- ~ Approved by the European Water Label Scheme
- ~ Supports BREEAM.

Features

- ~ Supplied factory assembled for quick and easy installation
- ~ WRAS approved Dudley Niagara flushing valve
- ~ WRAS approved Dudley Hydroflo inlet valve
- ~ WRAS approved cistern
- ~ Push-fit flush bend
- ~ Air tubes enable button, plate or sensor to be installed up to 250mm away from cistern
- ~ Compact dimensions fit neatly into 150mm ducts
- ~ Top access
- ~ One-piece cistern fixing brackets
- ~ Internal overflow warning
- ~ The cistern complies with the Regulator's Specification.



Dimensional Data



Technical Data

Material (Cistern)	High Density Polystyrene (PS)
Inlet	Dudley Hydroflo: Side or Bottom
Outlet	Dudley Niagara: Pneumatic
Flush Volume	Dual Flush 6/4, 5/3, 4/2.6 Litre or Single Flush 6, 5, 4 Litre