



#### Applications

Designed for use with Dudley Vantage and Miniflo concealed cisterns and Illusion A and V frames.

#### Water Saving

Dual flush operation provides reduced flush for enhanced water saving.

#### Features

- ~ Available in polished chrome and matt black finishes
- ~ Smooth pneumatic operation
- ~ Can be positioned up to 250mm from the cistern.

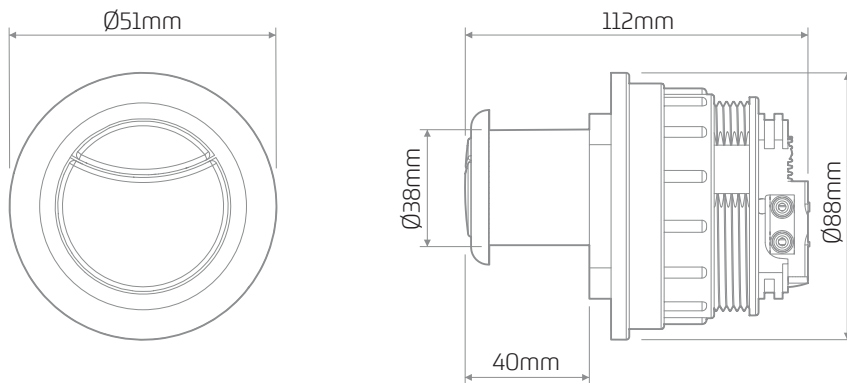


Chrome



Matt Black

#### Dimensional Data



#### Technical Data

Wall Thickness	12-32mm
Installation Aperture	Ø40mm hole
Fixing Type	Locking Collet
Button Operation	Pneumatic
Flush Option	Dual Flush