



#### Applications

Ideal for use behind tiles and partitioning and in most other concealed applications.

#### Water Saving

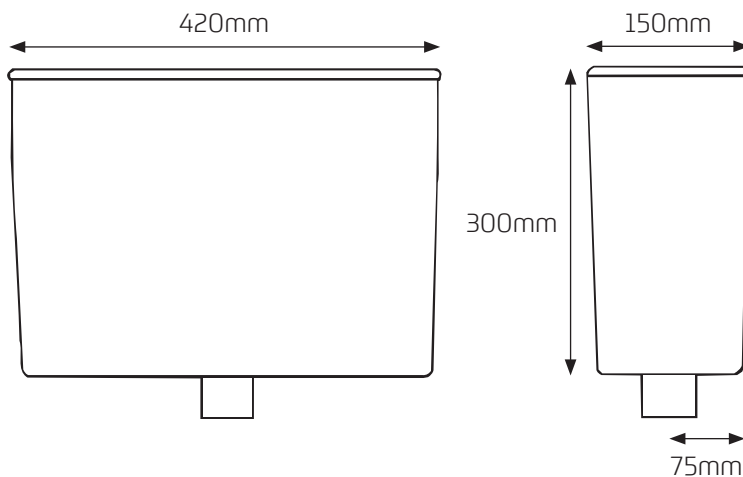
6 litre single flush.

#### Features

- ~ WRAS approved single flush valve
- ~ WRAS approved inlet valve
- ~ 3 push button style options; Petite, Cone & Dome
- ~ Air tubes enable button to be installed up to 250mm away from cistern
- ~ Compact dimensions fit neatly into most ducts
- ~ Top access
- ~ Internal overflow warning
- ~ The cistern complies with the Regulator's Specification.



#### Dimensional Data



#### Technical Data

Material (Cistern)	High Density Polystyrene (PS)
Inlet	Dudley Hydroflo: Side or Bottom
Outlet	Flush Valve: Pneumatic
Flush Volume	6 Litre Single Flush