



Applications

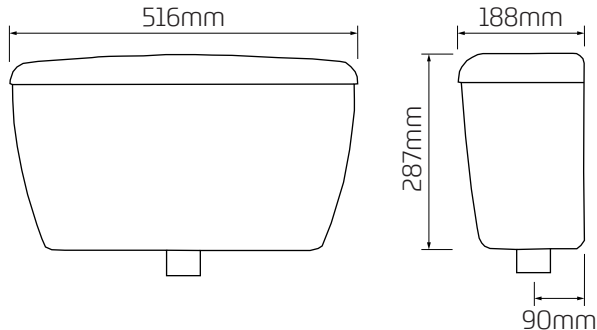
Automatic urinal flushing cistern for commercial applications, especially where risk of vandalism or misuse is present.

Features

- ~ Moulded with a cellular core for exceptional strength
- ~ High gloss finish in white or black
- ~ Outlet centre 90mm from wall
- ~ Supplied with Dudley Auto Syphon and petcock
- ~ For compliance to water regulations, additional flow control measures are required
- ~ Use in combination with Dudley Kinetic® for full regulatory compliance.



Dimensional Data



Technical Data

Material	High Impact Polystyrene (PS)
Inlet	Petcock
Outlet	Dudley Auto Syphon
Flush Volume	4.5 Litre, 9 Litre, 13.5 Litre