



Applications

Ideal for use in light to medium duty domestic and commercial applications.

Water Saving

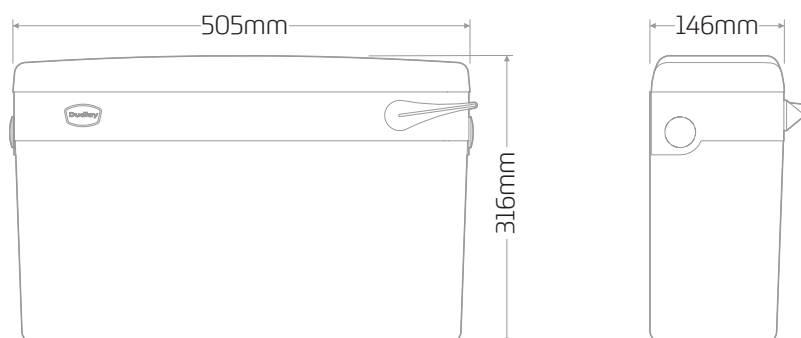
- ~ 6/7 litre convertible full flush
- ~ Dudley Duoflush delivers water saving reduced flush when lever is held down and full flush when lever is depressed and released
- ~ Approved by the European Water Label Scheme
- ~ Supports BREEAM.

Features

- ~ White plastic lever as standard, chrome available
- ~ WRAS approved Dudley Beta inlet valve
- ~ WRAS approved Dudley syphon
- ~ Suitable for low level, high level and close-coupled installations
- ~ Internal overflow warning
- ~ Internal parts comply with the Regulator's Specification.



Dimensional Data



Technical Data

Material	High Density Polystyrene (PS)
Inlet	Dudley Beta Inlet Valve: Side or Bottom (Upgrade available)
Outlet	Dudley S7 Syphon (Upgrade available)
Flush Volume	Duoflush: 6/4 Litre, 7/5 Litre (9 Litre available)