



Applications

Ideal for use in light to medium duty domestic and commercial applications.

Water Saving

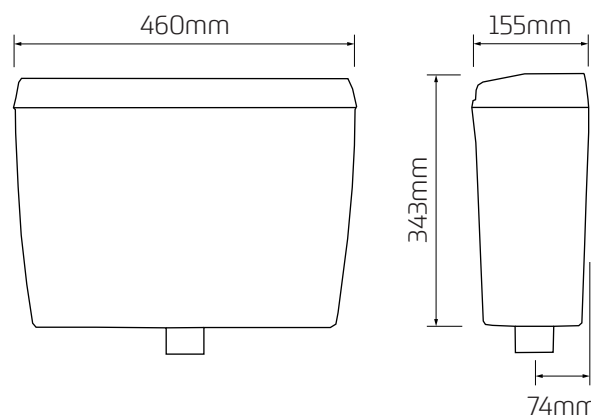
- ~ 6/7 litre convertible full flush
- ~ Dudley Duoflush delivers water saving reduced flush when lever is held down and full flush when lever is depressed and released
- ~ Approved by the European Water Label Scheme
- ~ Supports BREEAM.

Features

- ~ White plastic lever as standard, chrome available
- ~ WRAS approved Dudley Beta inlet valve
- ~ WRAS approved Dudley syphon
- ~ Suitable for high and low level installations
- ~ Internal overflow warning
- ~ Internal parts comply with the Regulator's Specification



Dimensional Data



Technical Data

| | |
|--------------|---|
| Material | High Density Polystyrene (PS) |
| Inlet | Dudley Beta Inlet Valve: Side or Bottom (Upgrade available) |
| Outlet | Dudley S7 Syphon (Upgrade available) |
| Flush Volume | Duoflush: 6/4 Litre, 7/5 Litre |



Applications

Ideal for use in light to medium duty domestic and commercial applications.

Water Saving

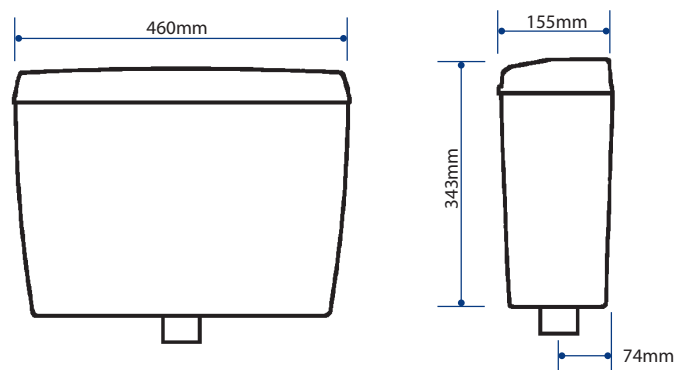
- ~ 6/4 litre dual flush
- ~ Quickly and easily converts before or after installation to 5/3 or 4/2.6 litre dual flush
- ~ 6/5/4 litre single flush also available
- ~ Approved by the European Water Label Scheme
- ~ Supports BREEAM.

Features

- ~ Chrome dual flush lid mounted push button
- ~ WRAS approved Dudley Beta inlet valve
- ~ WRAS approved Dudley Niagara flushing valve
- ~ Suitable for low level installations
- ~ Internal overflow warning
- ~ Internal parts comply with the Regulator's Specification



Dimensional Data



Technical Data

| | |
|--------------|---|
| Material | High Density Polystyrene (PS) |
| Inlet | Dudley Beta Inlet Valve: Side or Bottom (Upgrade available) |
| Outlet | Dudley Niagara: Mechanical |
| Flush Volume | Dual flush: 6/4 Litre, 5/3 Litre, 4/2.6 Litre |