



### Applications

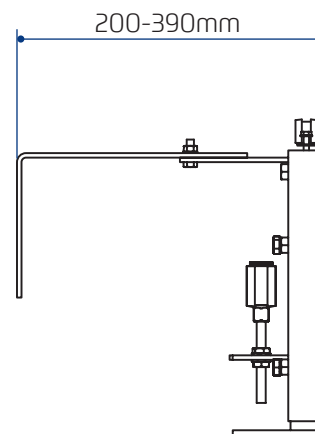
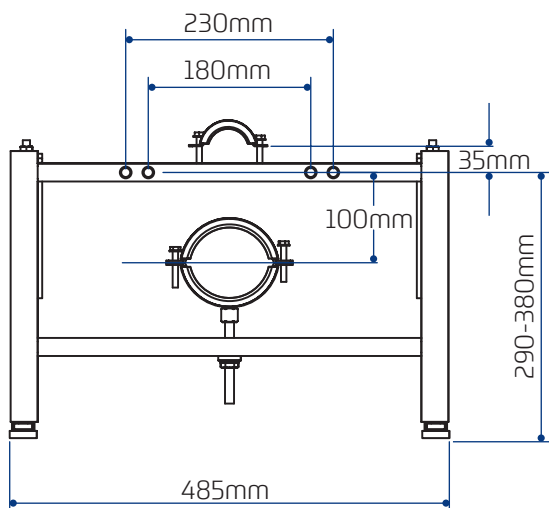
Wall-hung WC pan support frame designed for use against flat walls and in corners; ideal for most domestic and commercial applications.

### Features

- ~ Wall and floor fixing brackets can be fixed through 180 degrees and 360 degrees respectively to simplify installation
- ~ Legs adjust to 290 - 380MM, offer WC pan height fixing flexibility
- ~ Strong steel tubular section construction
- ~ Blue painted finish and galvanised wall and floor brackets
- ~ Passes 400Kg load test based on EN 997
- ~ Flushbend and WC pan connector clamps
- ~ Floor and WC pan fixing bolts included.



### Dimensional Data



### Technical Data

Fixing orientation	Wall and floor fixed
Load capacity	Tested to 400KG
Code	314802