



#### Applications

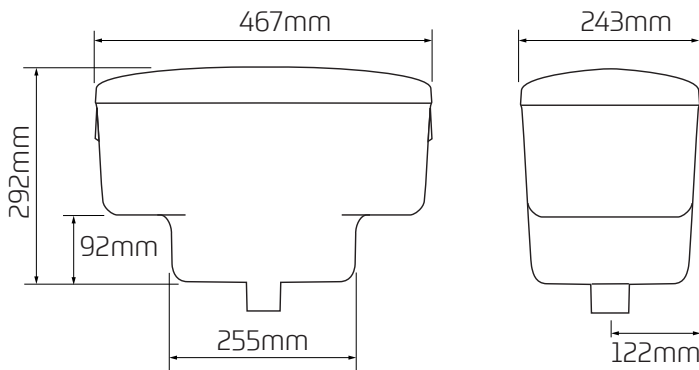
Ideal for use in domestic and commercial applications, particularly where risk of vandalism or misuse is present.

#### Features

- ~ WRAS approved Dudley Beta inlet valve
- ~ WRAS approved Dudley Turbo™ S1-11 syphon
- ~ Chain pull
- ~ Suitable for high level installations
- ~ Brass outlet connection and fixings available
- ~ Internal overflow warning
- ~ Internal parts comply with the Regulator's Specification.



#### Dimensional Data



#### Technical Data

|              |                               |
|--------------|-------------------------------|
| Material     | High Density Polystyrene (PS) |
| Inlet        | Dudley Beta Inlet Valve: Side |
| Outlet       | Dudley Turbo S1-11 Syphon     |
| Flush Volume | Monoflush: 7 Litre, 9 Litre   |